

Service **Second Generation**
 Service
 Service



Service Manual

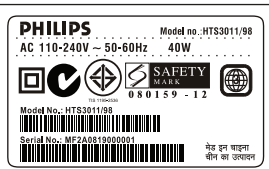


TABLE OF CONTENTS

	Chapter
Location of PCB Boards	1-2
Versions Variation	1-2
Specifications	1-3
Measurement Setup	1-4
Service Aids	1-5
ESD & Safety Instruction	1-6
Lead-free soldering Information	1-7
Setting procedure & Repair Instructions.....	2
Disassembly Instructions & Service positions	3
Block & Wiring Diagram	4
VFD+STANDBY+VOL+MP3+BRACKET Board.....	5
Main Board	6
Power Board	7
Mechanical Exploded View & Part List.....	8
Revision List	9

This service manual is for HTS3011/98 Second Generation model, which is different from the previous generation HTS3011/98 models.

For Second Generation model the serial number begin with MF2AXXXXXXXXXX. Refer to the rating label illustration at right.



© Copyright 2008 Philips Consumer Electronics B.V. Eindhoven, The Netherlands
 All rights reserved. No part of this publication may be reproduced, stored in a retrieval system or transmitted, in any form or by any means, electronic, mechanical, photocopying, or otherwise without the prior permission of Philips.

Published by LM0832 Service Audio Printed in The Netherlands Subject to modification

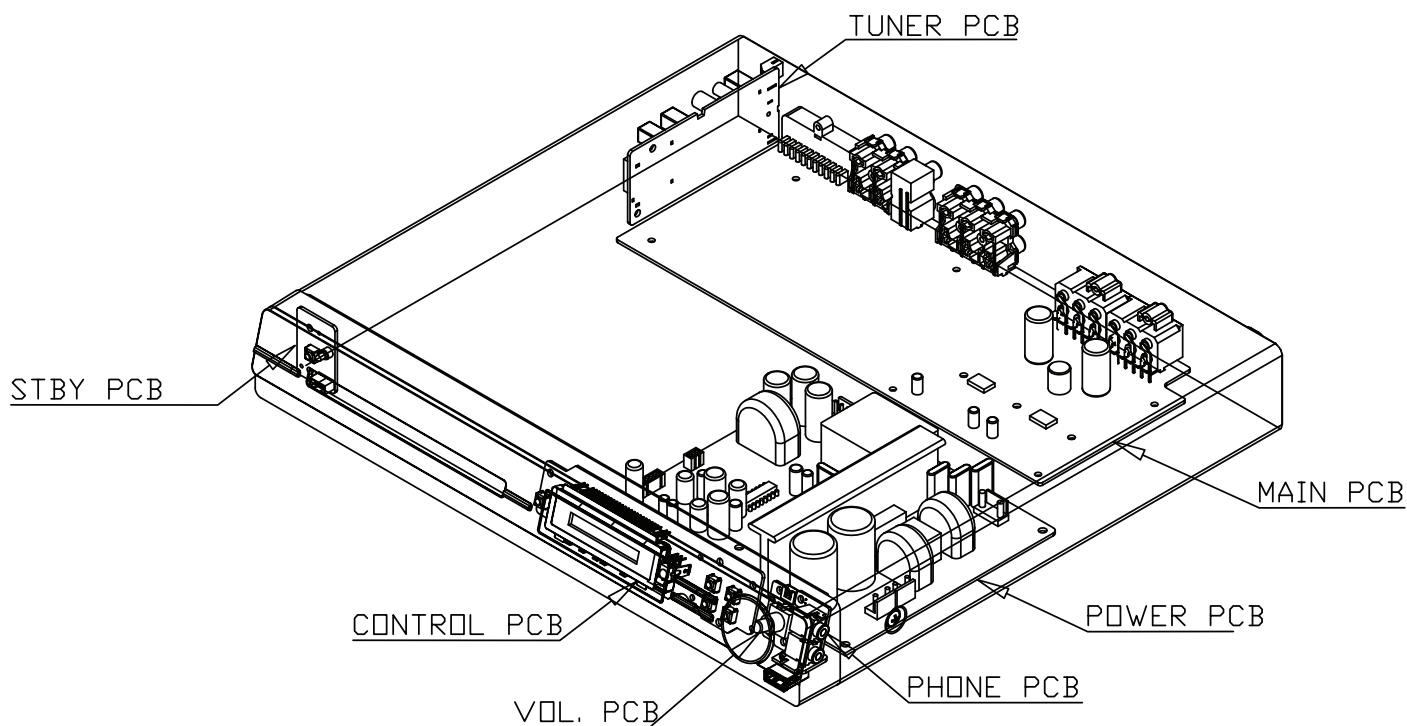
GB 3139 785 34480

Version 1.0



PHILIPS

LOCATION OF PCB BOARDS



VERSION VARIATION:

Type/Versions	HTS3011
Features	/98
Output Power - 200W	X
Voltage (110V~240V)	X
Aux In	X

SERVICE SCENARIO MATRIX:

Type/Versions	HTS3011
Board in used	/98
Main Board	C
Power Board	C
VFD+STANDBY+VOL+MP3+BRACKETBoard	C

*C = Component Level Repair

SPECIFICATIONS

AMPLIFIER

Total output power :	
- Home Theatre mode	200 W
Frequency Response	180 Hz – 18 kHz / ± 3 dB
Signal-to-Noise Ratio.....	> 60 dB (A-weighted)
Input Sensitivity	
- AUX 1	400 mV
- AUX 2	400 mV

RADIO

Tuning Range	FM 87.5-108 MHz
.....	(50/100 kHz)
.....	26 dB Quieting
Sensitivity	FM 22 dBf
IF Rejection Ratio	FM 60 dB
Signal-to-Noise Ratio.....	FM 50 dB
AM Suppression Ratio.....	FM 30 dB
Harmonic Distortion	FM Mono 3%
.....	FM Stereo 3%
Frequency Response	FM 180 Hz–10 kHz / ± 6 dB
Stereo Separation.....	FM 26 dB (1 kHz)
Stereo Threshold	FM 29 dB

DISC

Laser Type.....	Semiconductor
Disc Diametre.....	12cm / 8cm
Video Decoding	MPEG-1 / MPEG-2 /
.....	/ DivX 3/4/5/6, Ultra
Video DAC.....	12 Bits
Signal System.....	PAL / NTSC
Video Format	4:3 / 16:9
Video S/N	56 dB
Composite Video	
Output.....	1.0 Vp-p, 75 Ω
Frequency Response	4 Hz–20 kHz (44.1 kHz)
.....	4 Hz–22 kHz (48 kHz)
.....	4 Hz–44 kHz (96 kHz)
PCM.....	IEC 60958
Dolby Digital	IEC 60958, IEC 61937

MAIN UNIT

Power Supply Rating	110-240 V; 50-60 Hz
Power Consumption	40 W
Dimensions.....	360 x 55 x 332 (mm)
.....	(w x h x d)
Weight	2.58 kg

FRONT AND REAR SPEAKERS

System.....	Full range satellite
Impedance.....	4 Ω
Speaker drivers	3" full range speaker
Frequency response.....	150 Hz – 20 kHz
Dimensions.....	100 x 95.5 x 83.5 (mm)
.....	(w x h x d)
Weight	0.47 kg/each

CENTRE SPEAKER

System.....	Full range satellite
Impedance.....	8 Ω
Speaker drivers	3" full range speaker
Frequency response.....	150 Hz – 20 kHz
Dimensions.....	100 x 99.5 x 83.5 (mm)
.....	(w x h x d)
Weight	0.52 kg

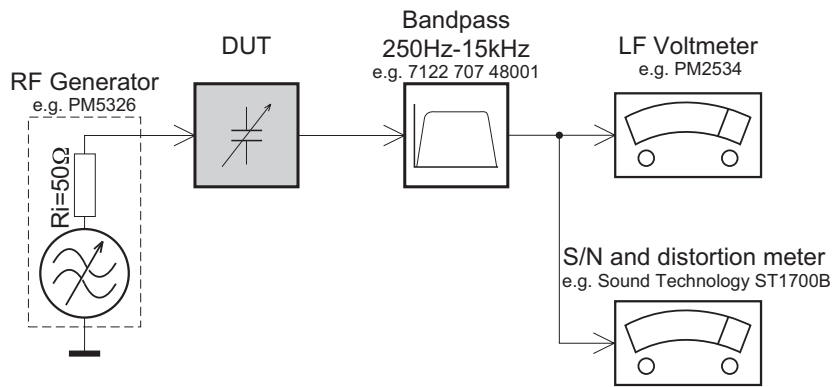
SUBWOOFER

Impedance.....	8 Ω
Speaker drivers	165 mm (6.5") woofer
Frequency response.....	40 Hz – 150 Hz
Dimensions.....	131 x 315.5 x 386 (mm)
.....	(w x h x d)
Weight	3.6 kg

Specifications subject to change without prior notice.

MEASUREMENT SETUP

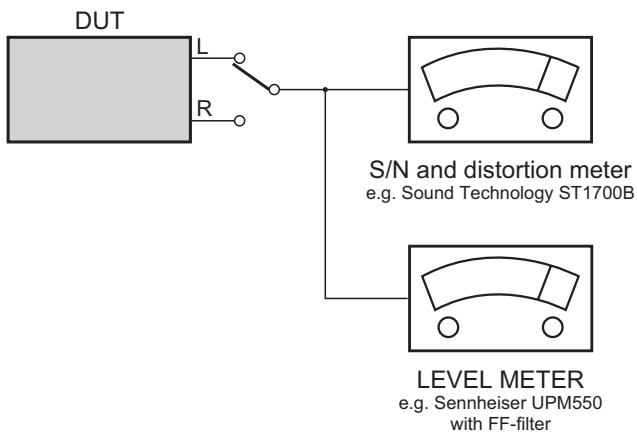
Tuner FM



Use a bandpass filter to eliminate hum (50Hz, 100Hz) and disturbance from the pilotone (19kHz, 38kHz).

CD

Use Audio Signal Disc SBC429 4822 397 30184
(replaces test disc 3)



SERVICE AIDS

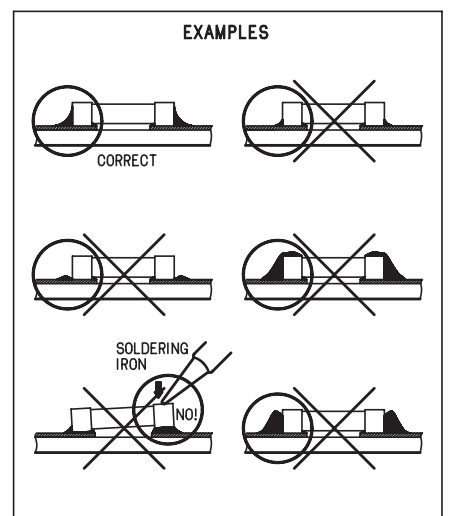
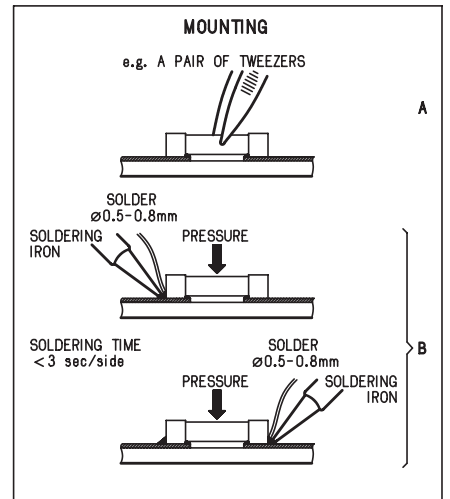
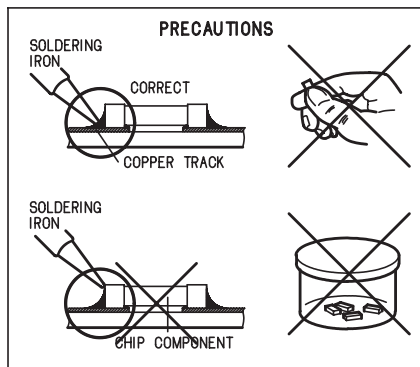
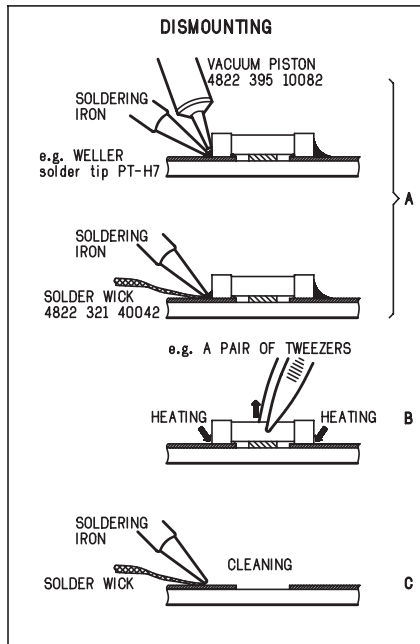
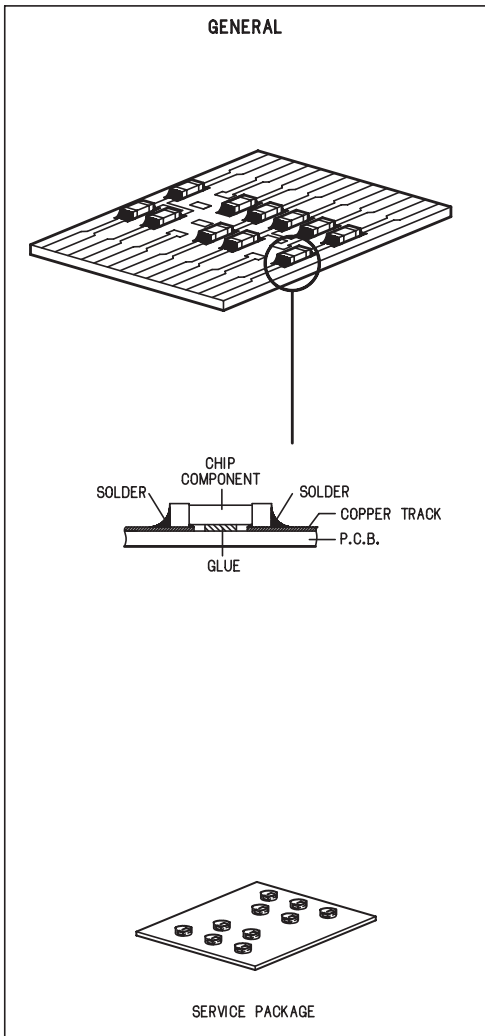
Service Tools:

Universal Torx driver holder	4822 395 91019
Torx bit T10 150mm	4822 395 50456
Torx driver set T6-T20	4822 395 50145
Torx driver T10 extended	4822 395 50423

Compact Disc:

SBC426/426A Test disc 5 + 5A	4822 397 30096
SBC442 Audio Burn-in test disc 1kHz	4822 397 30155
SBC429 Audio Signals disc	4822 397 30184
Dolby Pro-logic Test Disc	4822 395 10216

HANDLING CHIP COMPONENTS



ESD**(GB) WARNING**

All ICs and many other semi-conductors are susceptible to electrostatic discharges (ESD). Careless handling during repair can reduce life drastically.

When repairing, make sure that you are connected with the same potential as the mass of the set via a wrist wrap with resistance. Keep components and tools also at this potential.

(F) ATTENTION

Tous les IC et beaucoup d'autres semi-conducteurs sont sensibles aux décharges statiques (ESD).

Leur longévité pourrait être considérablement écourtée par le fait qu'aucune précaution n'est prise à leur manipulation.

Lors de réparations, s'assurer de bien être relié au même potentiel que la masse de l'appareil et enfiler le bracelet serti d'une résistance de sécurité.

Veiller à ce que les composants ainsi que les outils que l'on utilise soient également à ce potentiel.

(D) WARNUNG

Alle ICs und viele andere Halbleiter sind empfindlich gegenüber elektrostatischen Entladungen (ESD).

Unvorsichtige Behandlung im Reparaturfall kann die Lebensdauer drastisch reduzieren. Veranlassen Sie, dass Sie im Reparaturfall über ein Pulsarmband mit Widerstand verbunden sind mit dem gleichen Potential wie die Masse des Gerätes.

Bauteile und Hilfsmittel auch auf dieses gleiche Potential halten.

(NL) WAARSCHUWING

Alle IC's en vele andere halfgeleiders zijn gevoelig voor electrostatische ontladingen (ESD).

Onzorgvuldig behandelen tijdens reparatie kan de levensduur drastisch doen verminderen. Zorg ervoor dat u tijdens reparatie via een polsband met weerstand verbonden bent met hetzelfde potentiaal als de massa van het apparaat.

Houd componenten en hulpmiddelen ook op hetzelfde potentiaal.

(I) AVVERTIMENTO

Tutti IC e parecchi semi-conduttori sono sensibili alle scariche statiche (ESD). La loro longevità potrebbe essere fortemente ridotta in caso di non osservazione della più grande cauzione alla loro manipolazione. Durante le riparazioni occorre quindi essere collegato allo stesso potenziale che quello della massa dell'apparecchio tramite un bracciale a resistenza. Assicurarsi che i componenti e anche gli utensili con quali si lavora siano anche a questo potenziale.

(GB) ESD PROTECTION EQUIPMENT

Complete Kit ESD3 (small tablemat, wristband, connection box, extension cable and earth cable 4822 310 10671
Wristband tester 4822 344 13999

(GB)

Safety regulations require that the set be restored to its original condition and that parts which are identical with those specified, be used.

Safety components are marked by the symbol Δ .

(NL)

Veiligheidsbepalingen vereisen, dat het apparaat bij reparatie in zijn oorspronkelijke toestand wordt teruggebracht en dat onderdelen, identiek aan de gespecificeerde, worden toegepast.

De Veiligheidsonderdelen zijn aangeduid met het symbol Δ .

(F)

Les normes de sécurité exigent que l'appareil soit remis à l'état d'origine et que soient utilisés les pièces de rechange identiques à celles spécifiées.

Les composants de sécurité sont marqués Δ .

(D)

Bei jeder Reparatur sind die geltenden Sicherheitsvorschriften zu beachten. Der Originalzustand des Geräts darf nicht verändert werden; für Reparaturen sind Original-Ersatzteile zu verwenden.

Sicherheitsbauteile sind durch das Symbol Δ markiert.

(I)

Le norme di sicurezza esigono che l'apparecchio venga rimesso nelle condizioni originali e che siano utilizzati i pezzi di ricambio identici a quelli specificati.

Componenti di sicurezza sono marcati con Δ .

(GB)

After servicing and before returning set to customer perform a leakage current measurement test from all exposed metal parts to earth ground to assure no shock hazard exist, The leakage current must not exceed 0.5mA.

**(GB) Warning !**

Invisible laser radiation when open.
Avoid direct exposure to beam.

(S) Varning !

Osynlig laserstrålning när apparaten är öppnad och spärren är urkopplad. Betrakta ej strålen.

(SF) Varoitus !

Avatussa laitteessa ja suojaelukituksen ohitettaessa olet alttiina näkymättömälle laserisäteilylle. Älä katso säteeseen!

(DK) Advarse !

Usynlig laserstrålning ved åbning når sikkerhedsafbrydere er ude af funktion. Undgå udsættelse for stråling.


(F)

"Pour votre sécurité, ces documents doivent être utilisés par des spécialistes agréés, seuls habilités à réparer votre appareil en panne".

Pb(Lead) Free Solder

When soldering, be sure to use the pb free solder.

IDENTIFICATION:

Regardless of special logo (not always indicated) 

one must treat all sets from **1 Jan 2005** onwards, according next rules:

Important note: In fact also products of year 2004 must be treated in this way as long as you avoid mixing solder-alloys (lead-free/ lead-free). So best to always use SAC305 and the higher temperatures belong to this.

Due to lead-free technology some rules have to be respected by the workshop during a repair:

- Use only lead-free solder alloy Philips SAC305 with order code 0622 149 00106. If lead-free solder-paste is required, please contact the manufacturer of your solder-equipment. In general use of solder-paste within workshops should be avoided because paste is not easy to store and to handle.
- Use only adequate solder tools applicable for lead-free solder alloy. The solder tool must be able
 - To reach at least a solder-temperature of 400°C,
 - To stabilize the adjusted temperature at the solder-tip
 - To exchange solder-tips for different applications.
- Adjust your solder tool so that a temperature around 360°C – 380°C is reached and stabilized at the solder joint. Heating-time of the solder-joint should not exceed ~ 4 sec. Avoid temperatures above 400°C otherwise wear-out of tips will rise drastically and flux-fluid will be destroyed. To avoid wear-out of tips switch off unused equipment, or reduce heat.
- Mix of lead-free solder alloy / parts with leaded solder alloy / parts is possible but PHILIPS recommends strongly to avoid mixed solder alloy types (leaded and lead-free).
If one cannot avoid or does not know whether product is lead-free, clean carefully the solder-joint from old solder alloy and re-solder with new solder alloy (SAC305).
- Use only original spare-parts listed in the Service-Manuals. Not listed standard-material (commodities) has to be purchased at external companies.
- Special information for BGA-ICs:
 - Always use the 12nc-recognizable soldering temperature profile of the specific BGA (for de-soldering always use the lead-free temperature profile, in case of doubt)
 - Lead free BGA-ICs will be delivered in so-called 'dry-packaging' (sealed pack including a silica gel pack) to protect the IC against moisture. After opening,

dependent of MSL-level seen on indicator-label in the bag, the BGA-IC possibly still has to be baked dry. (MSL=Moisture Sensitivity Level). This will be communicated via AYS-website.

Do not re-use BGAs at all.

- For sets produced before 1.1.2005 (except products of 2004), containing leaded solder-alloy and components, all needed spare-parts will be available till the end of the service-period. For repair of such sets nothing changes.
- On our website www.atyourservice.ce.Philips.com you find more information to:
 - BGA-de-/soldering (+ baking instructions)
 - Heating-profiles of BGAs and other ICs used in Philips-sets

You will find this and more technical information within the "magazine", chapter "workshop news".

For additional questions please contact your local repair-helpdesk.

System , Region Code , etc. Setting Prochure

1)System Reset

- a) Press "OPTIONS" button on R/C,TV will show setup menu
- b) Select the menu using the ▼ and ► on R/C
- c) Go preference page to do system reset

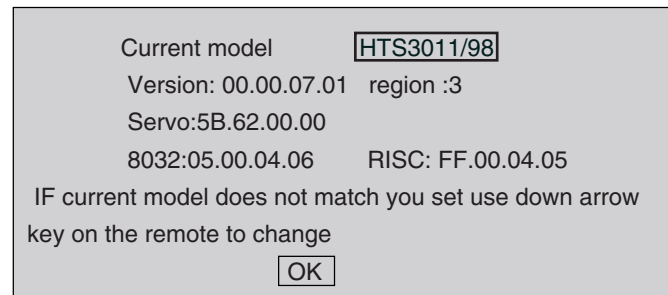
2)Region Code Change

- a) In open model, press "9" "9" "9" on R/C,then input desired number to change region code :

- | | |
|---|-----------------------|
| 1 | USA |
| 2 | EU |
| 3 | AP |
| 4 | Australia ,NZ , Latam |
| 5 | Russia , INDIA |
| 6 | CHINA |

3)Version Control Change

- a) In open model, press "1" "5" "9" on R/C
- b) Press "ok" button to confirm
- c) TV will show message as below:



4)Password Change

- a) Press "OPTIONS " button on R/C,TV will show setup menu
 - b) Select the menu using the ▼ and ► on R/C
 - c) Go preference page select "password" to change
- * 000000 is default password supplied.

5)Check on the Sofeware Version

- a) Open the CD Door
- b) Press "INFO" button on R/C
- c) TV will show the version on screen

6)Trade model

- a) Press "Open/Close " button on R/C
- b) Press "2" "5" "9" on R/C,VFD will display "TRA ON " or "TRA OFF"

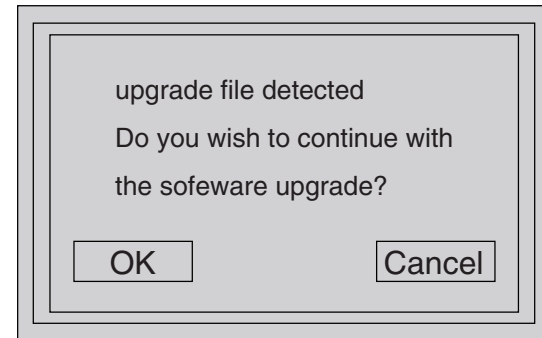
7) Upgrading new software

- a) copy "software files" into a CD-R
- b) open the CD Door,then insert the CD-R program disc
- c) close the CD Door
- d) VFD will show:

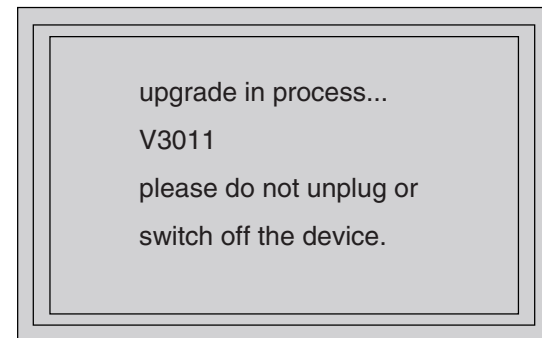
"Loading"
 "Erase" -- erase the flash memory
 "Writing" about 1 minute
 "done "

* the system will switch off and on again automatically.

- e) OSD will show:



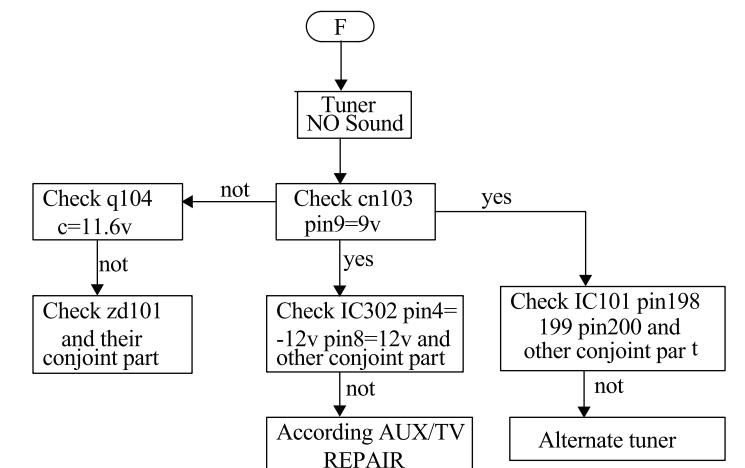
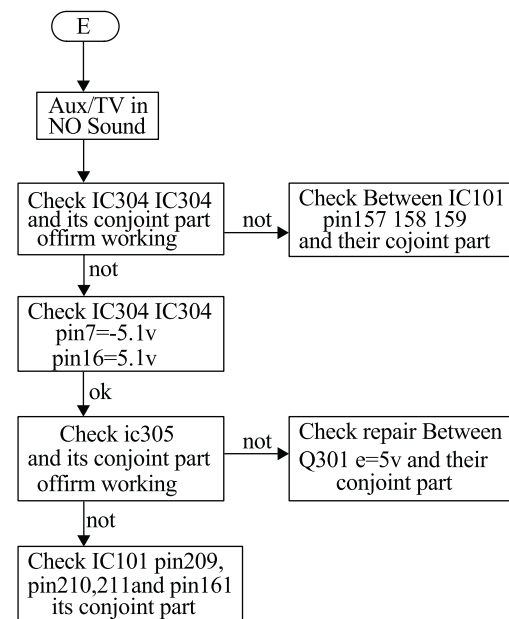
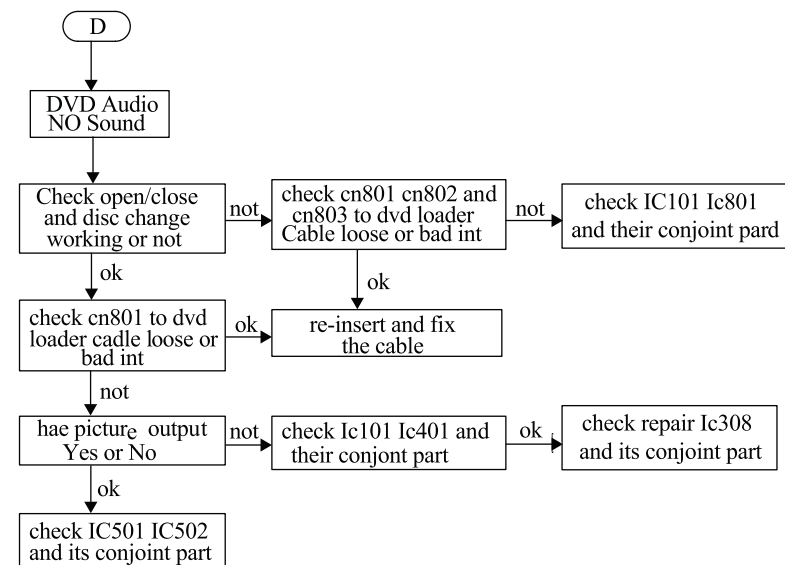
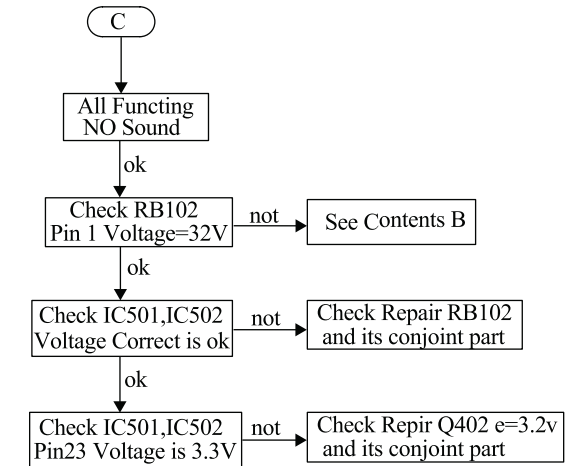
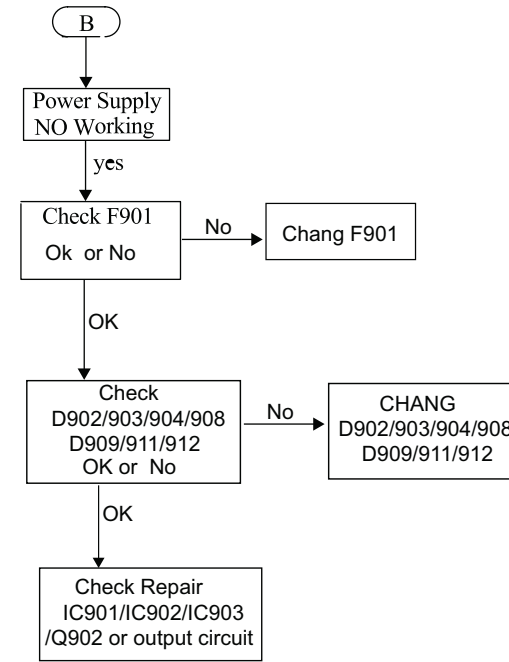
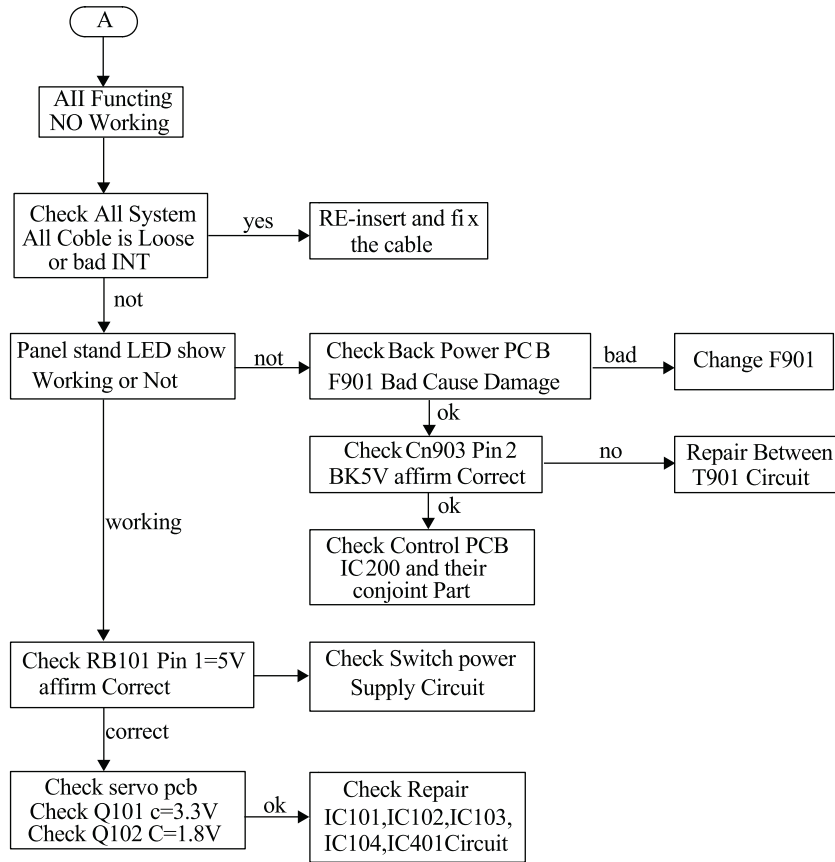
- f) select "OK", OSD will show:



CAUTION!

This information is confidential and may not be distributed.Only a qualified service person should reprogram the Region Code.

MAIN UNIT REPAIR CHART



DISASSEMBLY INSTRUCTIONS

Dismantling of the Front Panel Assemble

- 1) Open the DVD Tray by using the Open/Close Button while the Set is ON and disconnect the mains supply after removing the Tray Cover.
Note: If this is not possible, the DVD Tray has to be open manually.
Take a mini screw driver about 2mm diameter and make a marking 24mm from the tip as shown in figure 2 . Place the set on its side, insert the mini screw driver till the marking and slide it towards the left as shown in figure 1 until the Tray moves out of the Front Panel.
- 2) Return the set to its upright position and remove the Tray Cover as shown in Figure 3 and close the tray manually by pushing it back in.

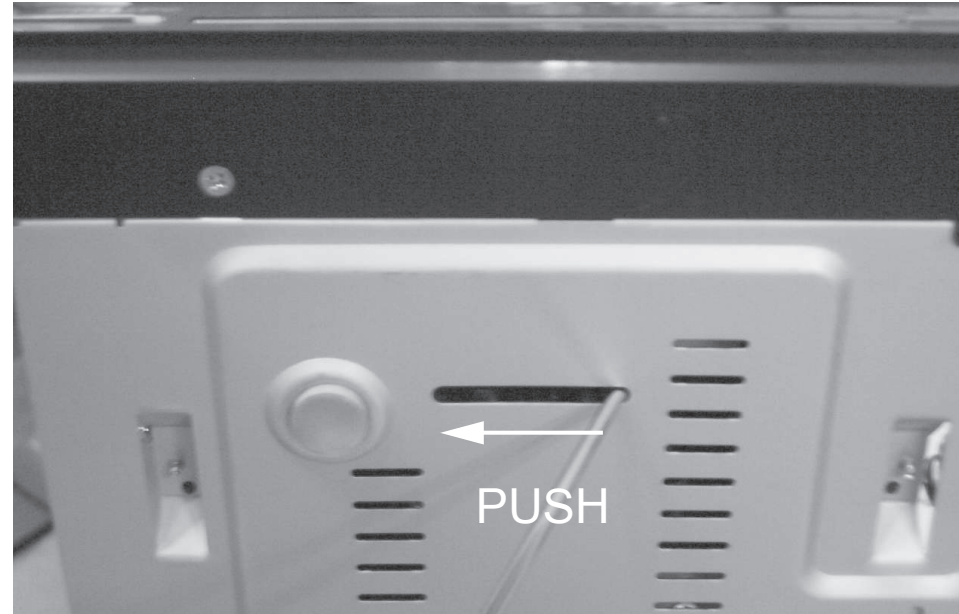


Figure 1



Figure 2

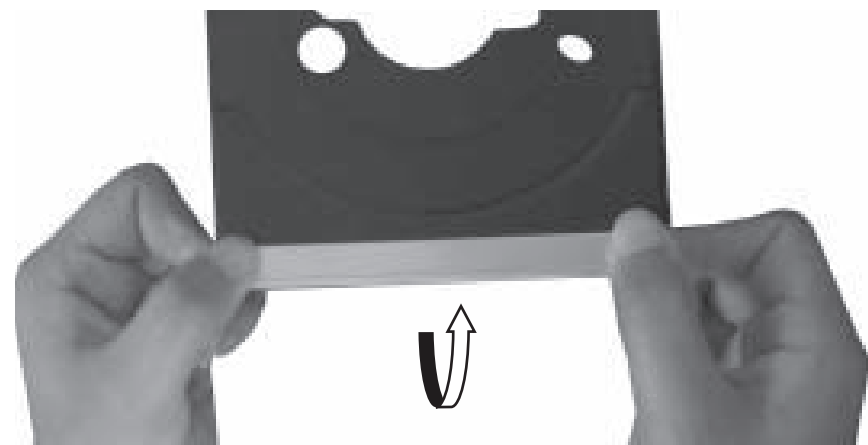


Figure 3

- 3) Loosen 5 screws and remove the Top Cover by lifting the rear portion upwards before sliding it out towards the rear.
 - 1 screw "A" each on the left & right side as shown in figure 4.
 - 3 screws "B" at the back panel as shown in figure 5.
- 4) Loosen 6 screws "C" & "D" at the bottom panel as in figure 6 & figure 7 to remove the front panel.

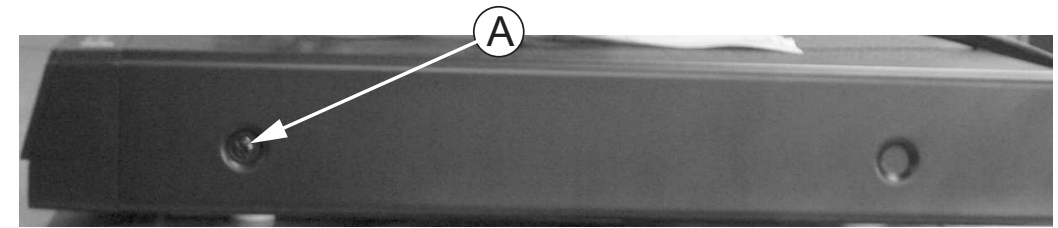


Figure 4

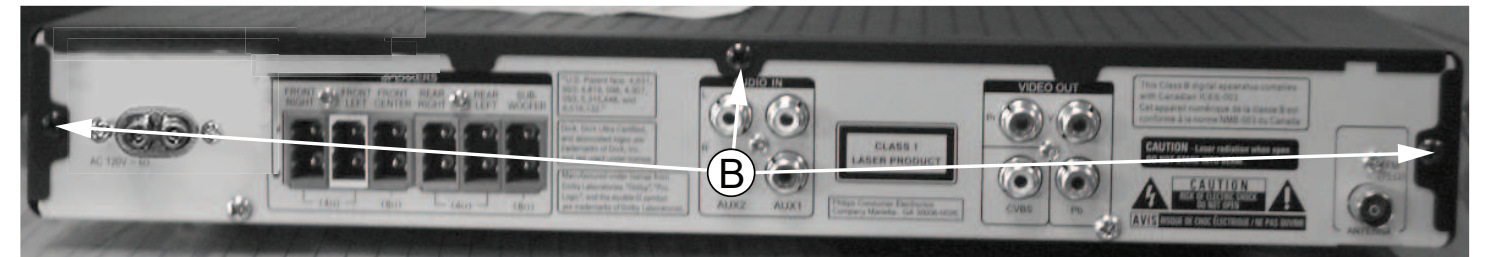


Figure 5

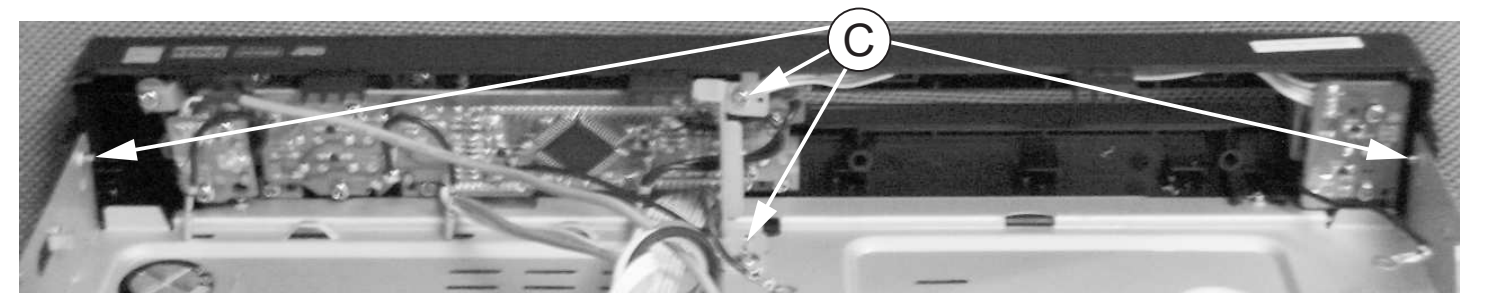


Figure 6

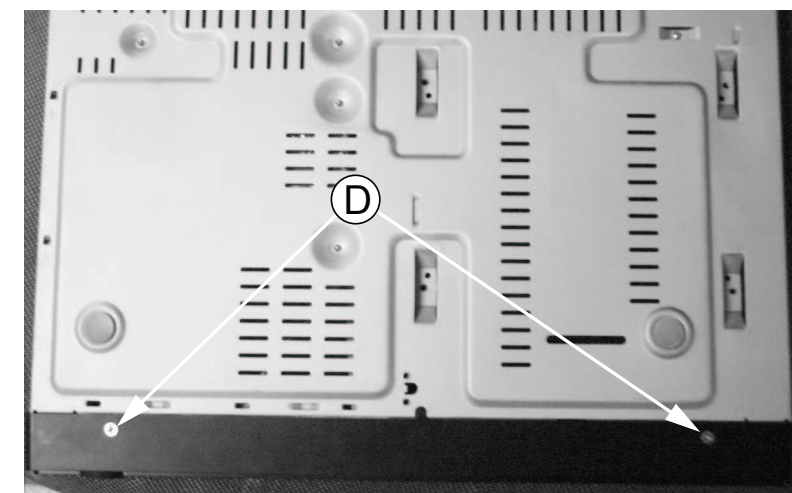


Figure 7

Dismantling of the DVD Module

- 1) Loosen 4 screws "E" at the DVD Module as shown in figure 8.

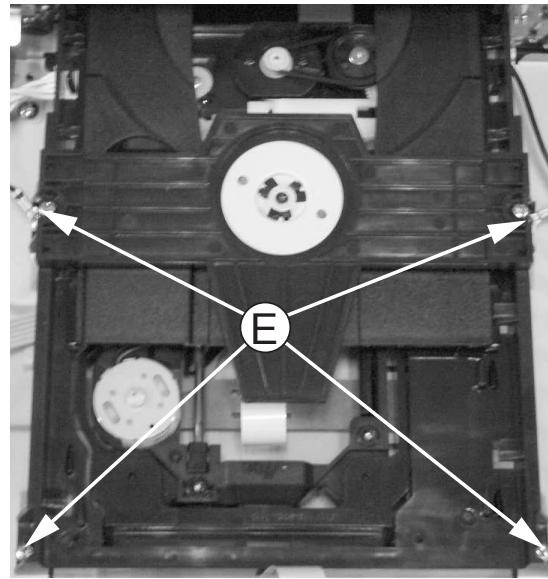


Figure 8

Dismantling of the VFD+JACK+STANDBY Board

- 1) Loosen 12 screws "F" on the top of VFD+JACK+STANDBY Board as shown in figure 9.

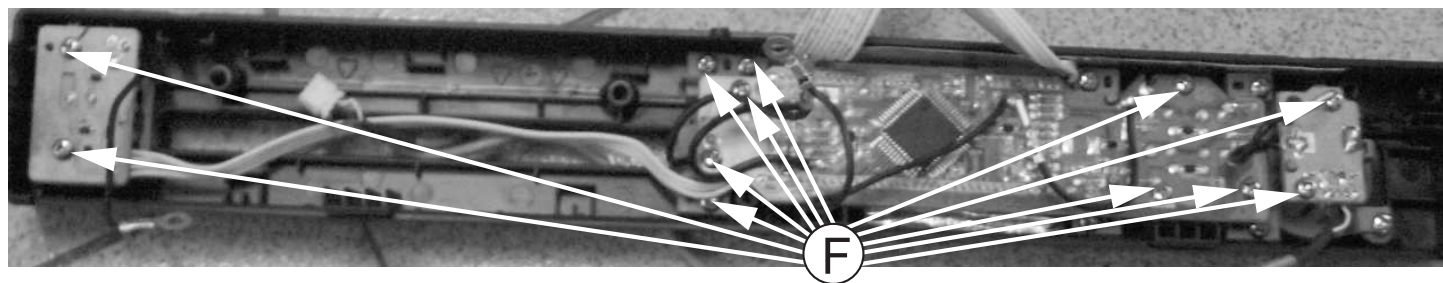


Figure 9

Dismantling of the Power Board

- 1) Loosen 4 screws "G" on the top of Power Board as shown in figure 10.

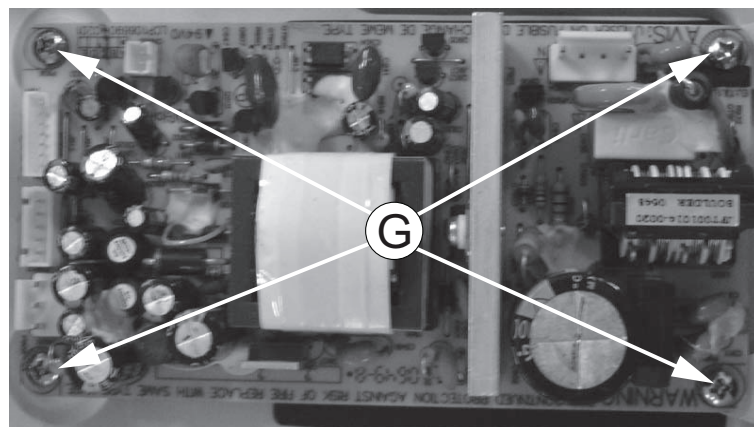


Figure 10

Dismantling of the Main Board

- 1) Loosen 4 screws "H" on the top of Main Board as shown in figure 11.
- 2) Loosen 4 screws "I" at the back panel as shown in figure 12.

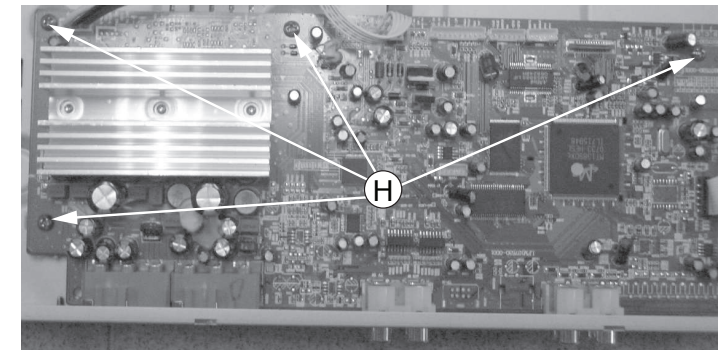


Figure 11

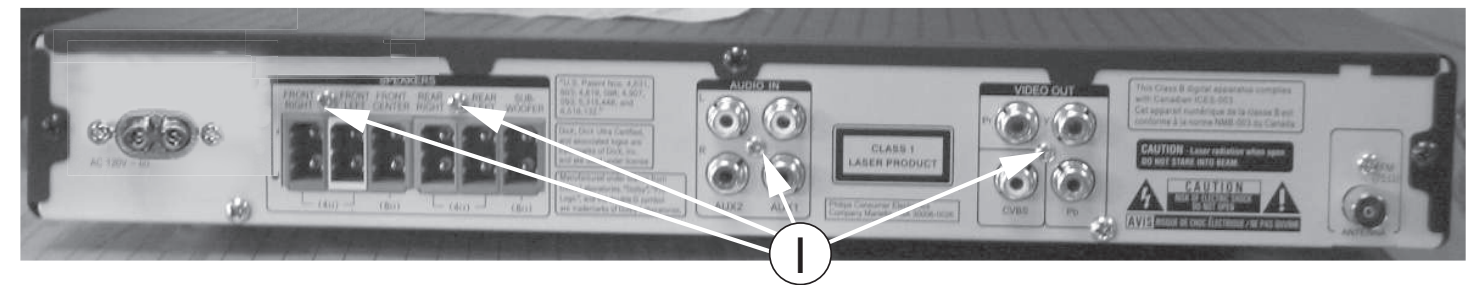
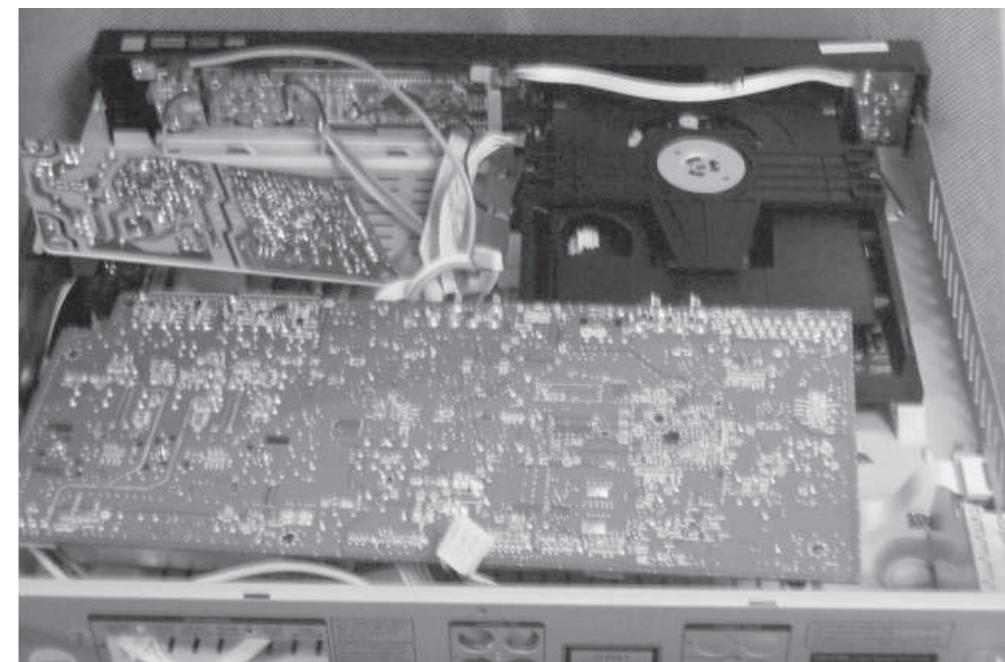


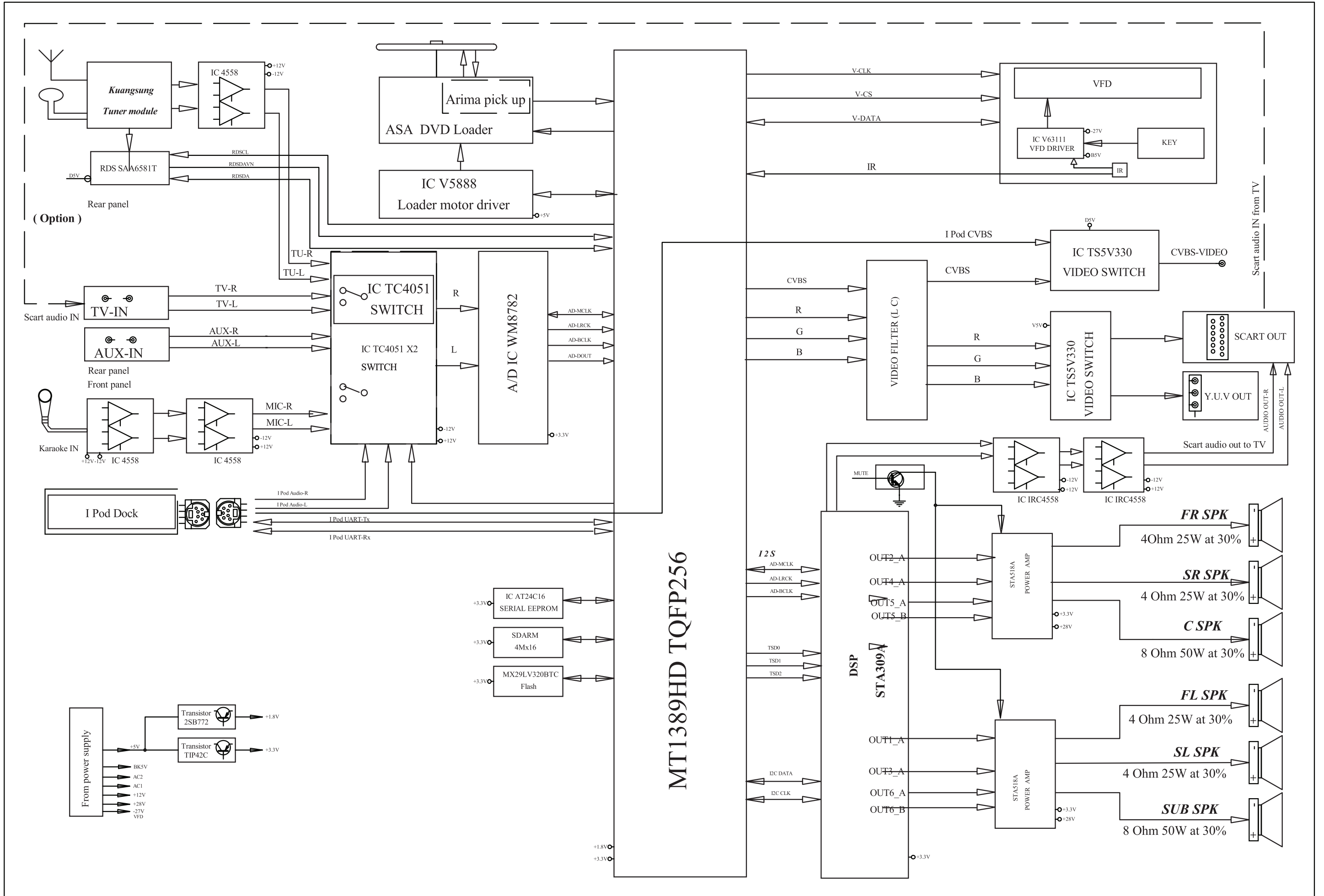
Figure 12

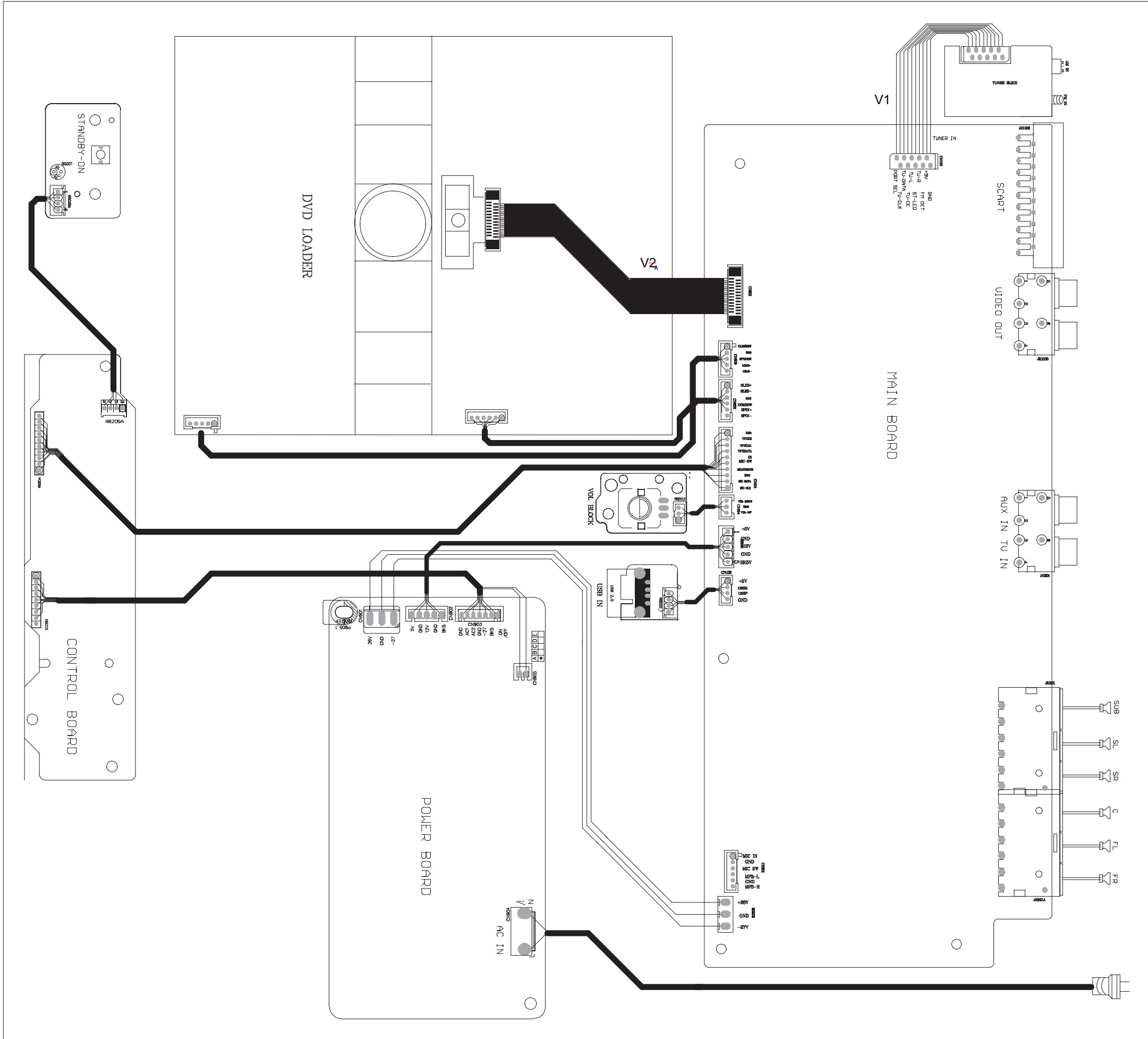
SERVICE POSITIONS

Service position A



Note: In some service positions the components or copper patterns of one board may risk touching its neighbouring pc boards or metallic parts. To prevent such short-circuit use a piece of hard paper or other insulating material between them.



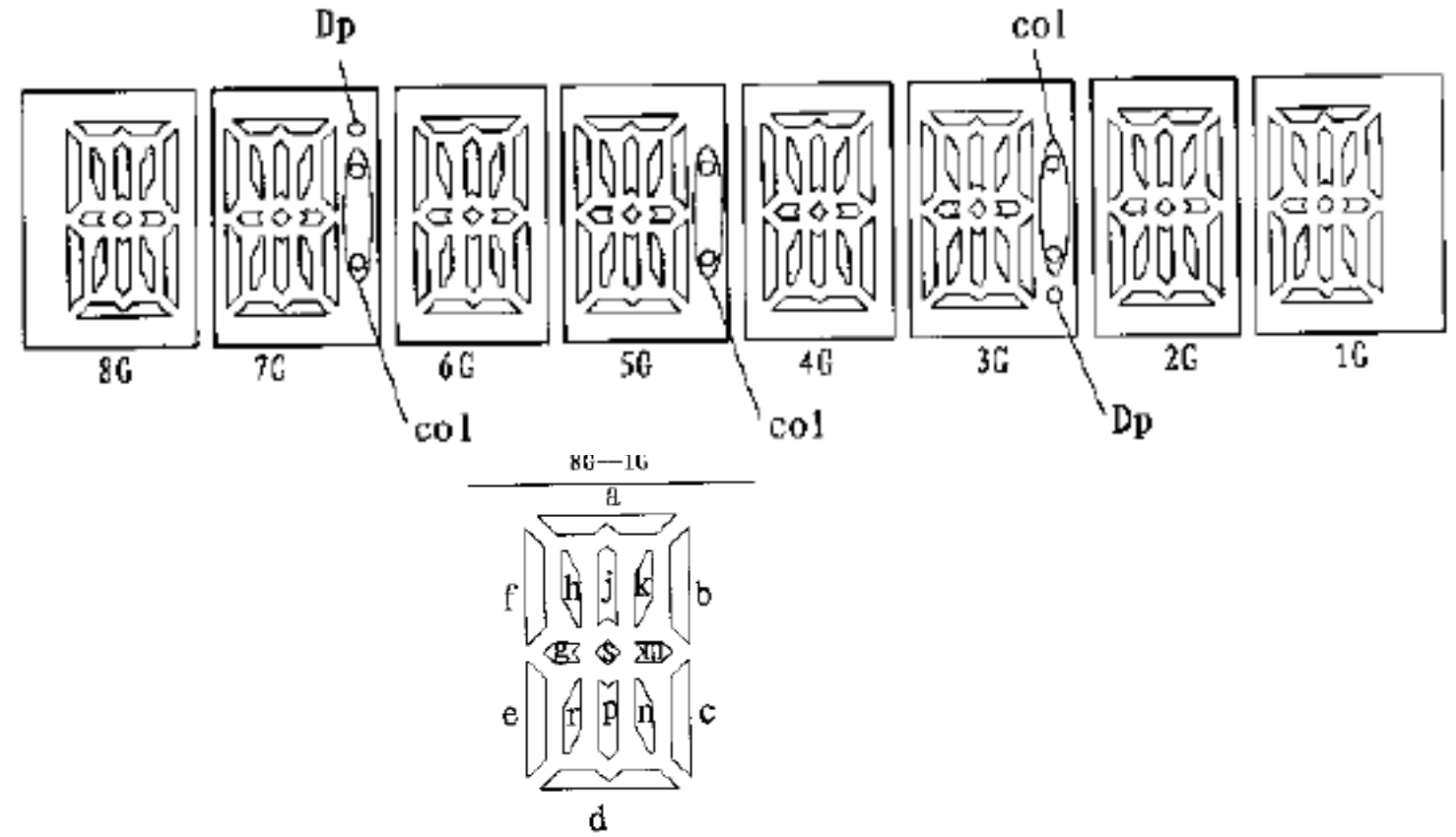


CONTROL BOARD

TABLE OF CONTENTS

FTD Display Pin Assignment.....5-1
 Circuit Diagram5-2
 PCB Layout Top View5-3
 PCB Layout Bottom View5-4

FTD DISPLAY PIN ASSIGNMENT

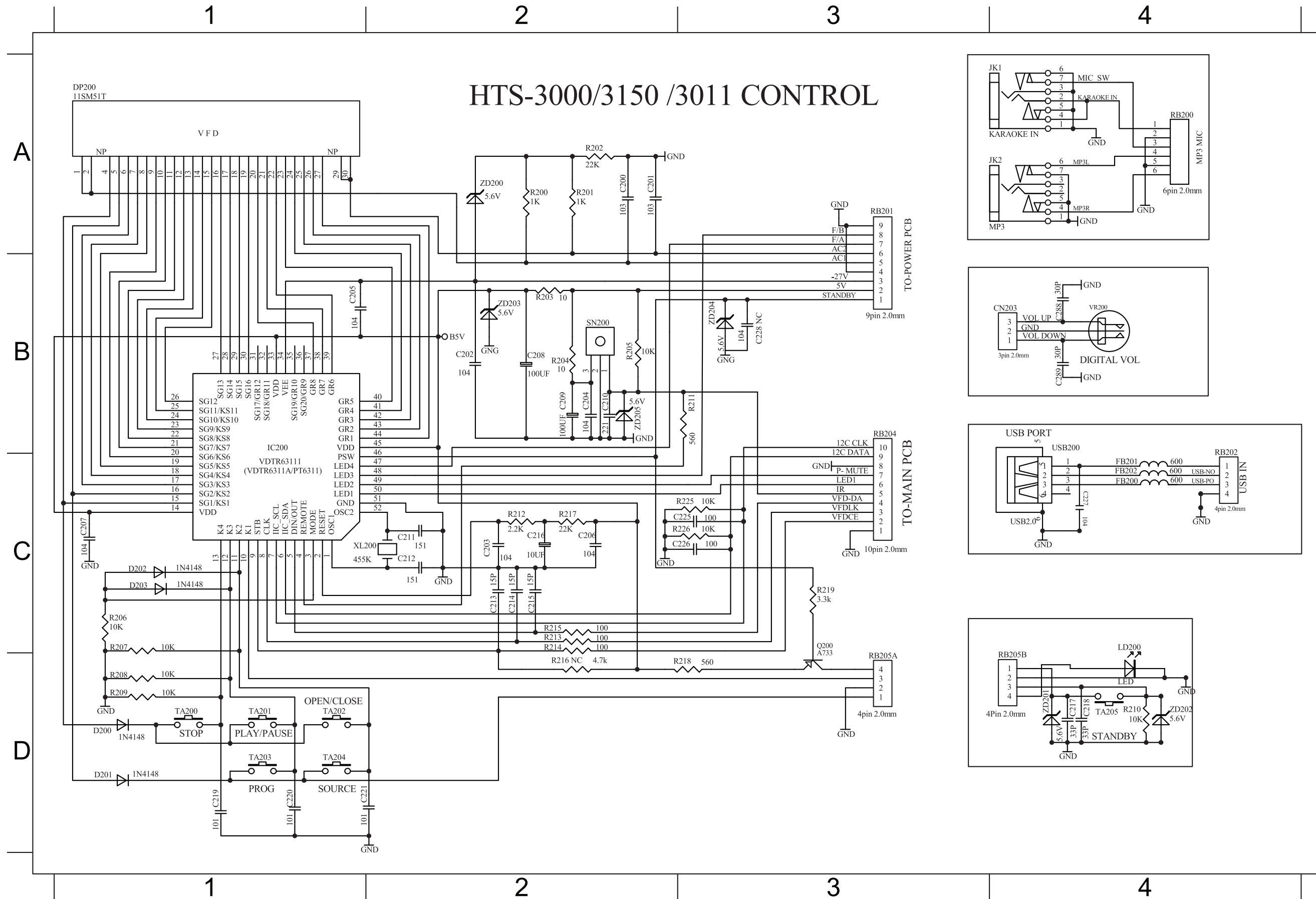


	8G	7G	6G	5G	4G	3G	2G	1G
P1	a	a	a	a	a	a	a	a
P2	j, p	j, p	j, p	j, p	j, p	j, p	j, p	j, p
P3	h	h	h	h	h	h	h	h
P4	k	k	k	k	k	k	k	k
P5	b	b	b	b	b	b	b	b
P6	f	f	f	f	f	f	f	f
P7	m	m	m	m	m	m	m	m
P8	x	x	x	x	x	x	x	x
P9	c	c	c	c	c	c	c	c
P10	e	e	e	e	e	e	e	e
P11	r	r	r	r	r	r	r	r
P12	n	n	n	n	n	n	n	n
P13	d	d	d	d	d	d	d	d
P14	/	Dp	/	col	/	col	/	/
P15	s	s	s	s	s	s	s	s
P16	/	col	/	/	/	Dp	/	/

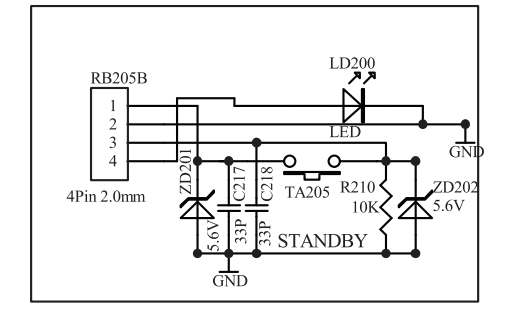
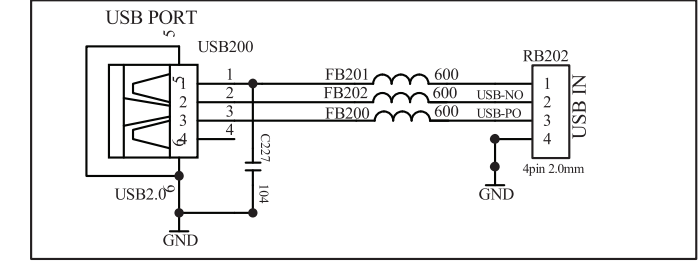
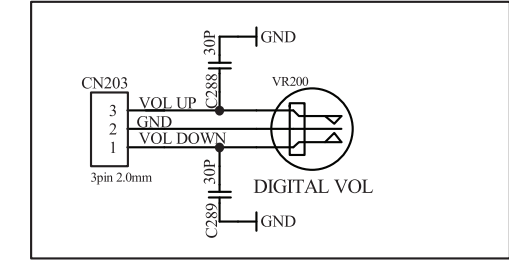
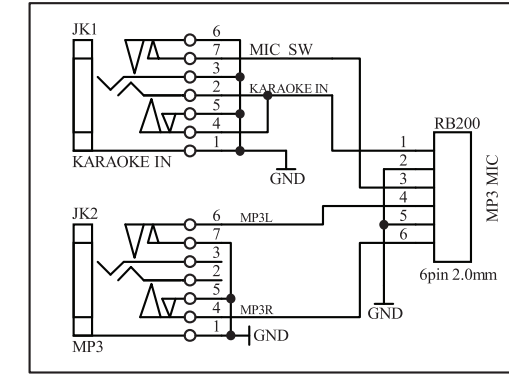
PIN CONNECTION

管脚序号 (Pin No.)	1	2	3	4	5	6	7	8	9	10	11	12	13	14	15
连接 (Connection)	F1	F1	NP	P1	P2	P3	P4	P5	P6	P7	P8	P9	P10	P11	P12
管脚序号 (Pin No.)	16	17	18	19	20	21	22	23	24	25	26	27	28	29	30
连接 (Connection)	P13	P14	P15	P16	8G	7G	6G	5G	4G	3G	2G	1G	NP	F2	F2

注 (Note): Fn : 燈絲 (Filament Pin) nG : 柵極 (Grid Pin)
 Fn : 陽極 (Anode Pin) NP : 無引出腳 (No Pin)



C200	A2	R202	A2
C201	A2	R203	B2
C202	B2	R204	B2
C203	C2	R205	B2
C204	B2	R206	C1
C205	B1	R207	C1
C206	C2	R208	D1
C207	C1	R209	D1
C208	B2	R210	D4
C209	B2	R211	B3
C210	B2	R212	C2
C211	C2	R213	C2
C212	C2	R214	C2
C213	C2	R215	C2
C214	C2	R217	C2
C215	C2	R218	D2
C216	C2	R219	C3
C217	D4	R225	C3
C218	D4	R226	C2
C219	D1	RB200A	D4
C220	D1	RB201	A3
C221	D1	RB204	B3
C225	C2	SN200	B2
C226	C2	TA200	D1
C288	B4	TA201	D1
C289	B4	TA202	D1
D200	D1	TA203	D1
D201	D1	TA204	D1
D202	C1	TA205	D4
D203	C1	VR200	B4
DP200	A1	XL200	C1
IC200	B1	ZD200	A2
JK1	A4	ZD201	D4
LD200	D4	ZD202	D4
Q200	C3	ZD203	B2
R200	A2	ZD204	B3
R201	A2	ZD205	B2

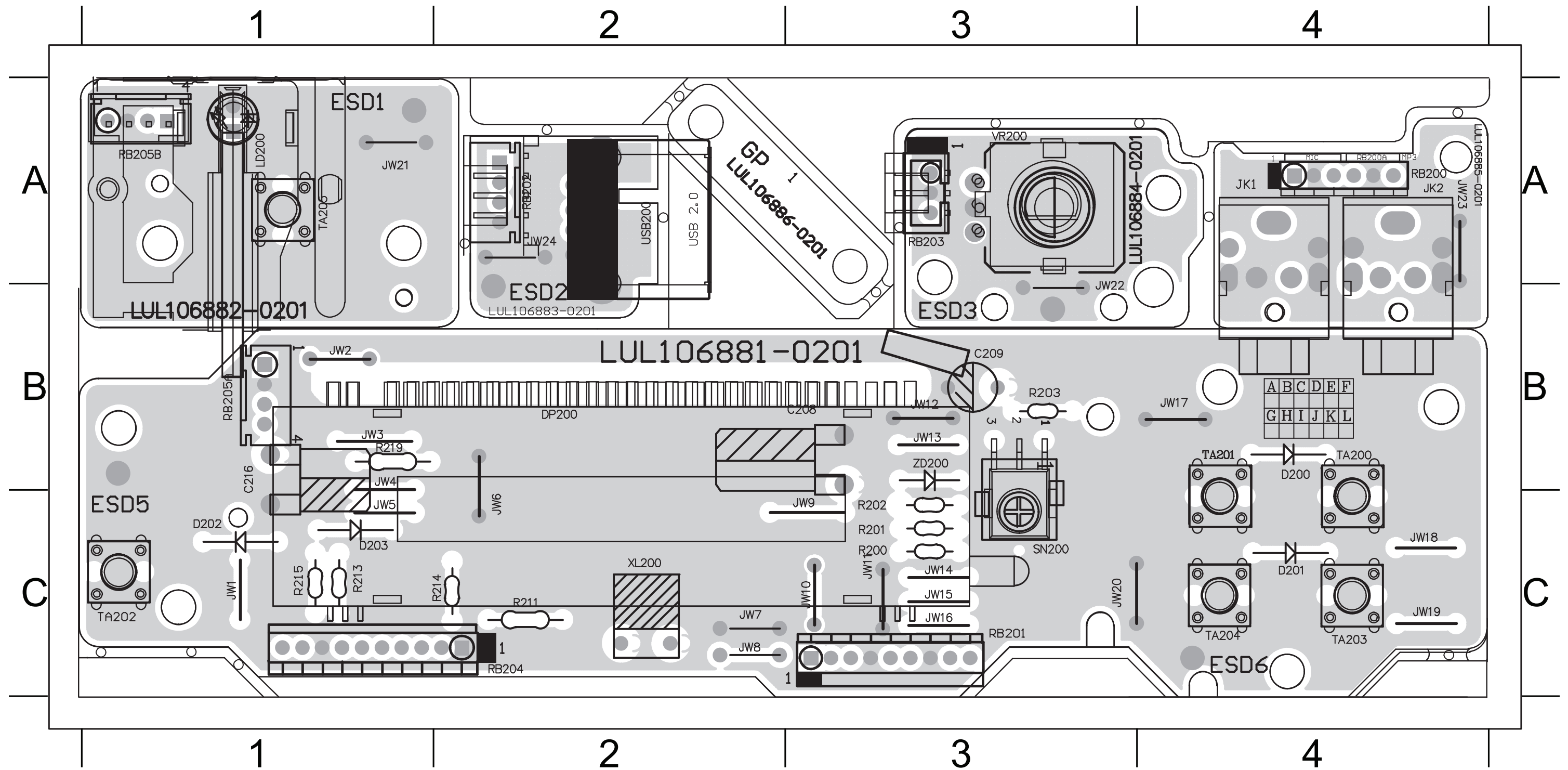


PCB LAYOUT - TOP VIEW

5 - 3

5 - 3

C208	B3	D203	C1	JW10	C3	JW15	C3	JW19	C4	JW22	B3	JW5	C1	JW9	C3	R202	C3	R214	C2	RB201	C3	TA201	B4	TA205	A1
C209	B3	DP200	B2	JW12	B3	JW16	C3	JW2	B1	JW23	A4	JW6	C2	LD200	A1	R203	B3	R215	C1	RB204	C2	TA202	C1	VR200	A3
C216	B1	JK1	A4	JW13	B3	JW17	B4	JW20	C3	JW3	B1	JW7	C2	R200	C3	R211	C2	R219	B1	SN200	C3	TA203	C4	XL200	C2
D202	C1	JW1	C3	JW14	C3	JW18	C4	JW21	A1	JW4	B1	JW8	C2	R201	C3	R213	C1	RB200AA4	TA200	B4	TA204	C4	ZD200	B3	

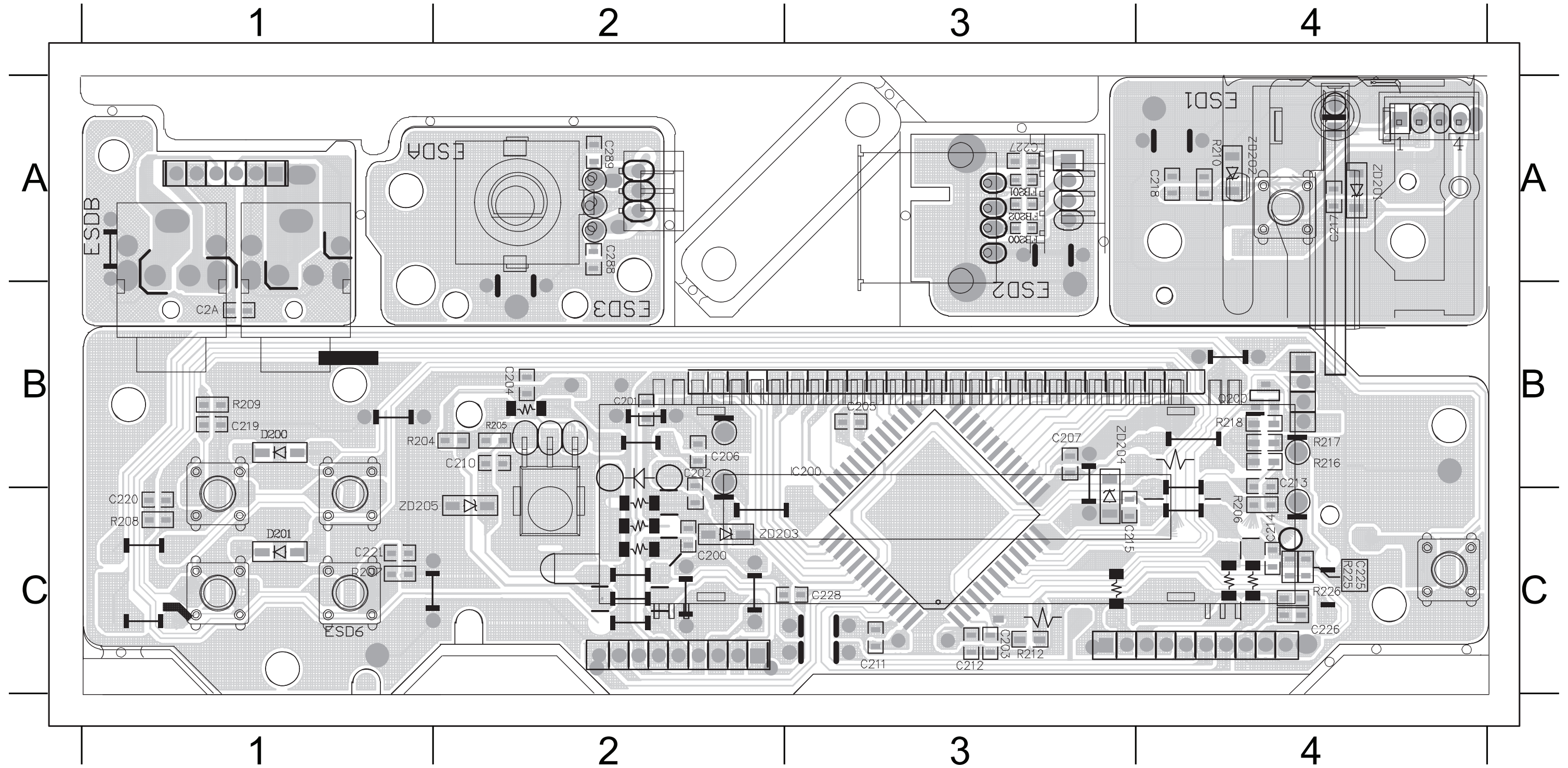


PCB LAYOUT - BOTTOM VIEW

5 - 4

5 - 4

C200 C2 C204 C4 C210 B2 C214 C4 C219 B1 C226 C4 D201 C1 R205 B2 R209 B1 R218 A4 ZD202 A4
 C201 B2 C205 B2 C211 C3 C215 C3 C220 C1 C288 A2 IC200 B3 R206 C4 R210 A4 R225 C4 ZD203 C2
 C202 B2 C206 B2 C212 C3 C217 A4 C221 C1 C289 A2 Q200 B4 R207 C1 R212 C3 R226 C4 ZD204 B2
 C203 C3 C207 B2 C213 A4 C218 A4 C225 C4 D200 B1 R204 B1 R208 C1 R217 A4 ZD201 A4 ZD205 C1

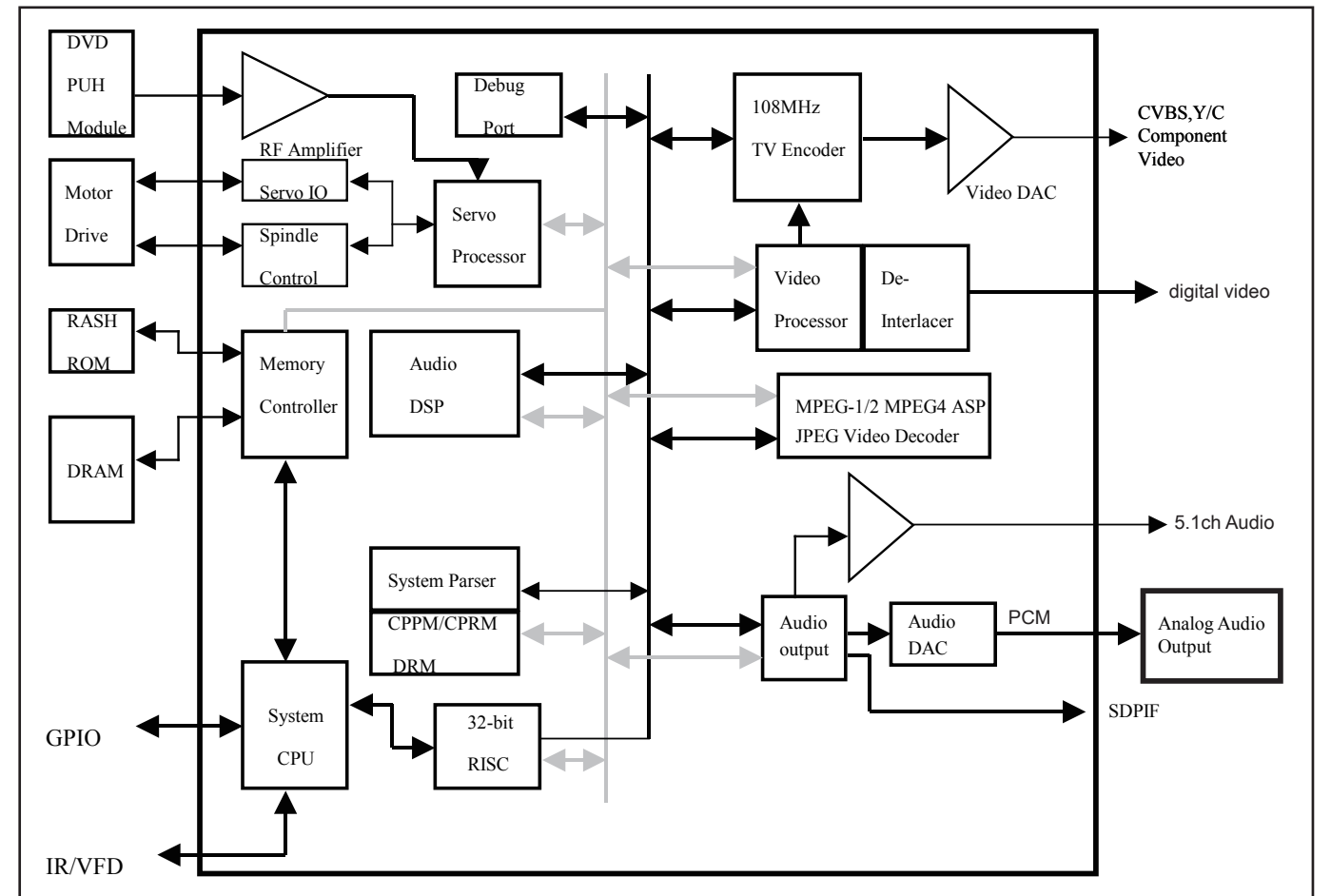


INTERNAL IC DIAGRAM - MT1389HD

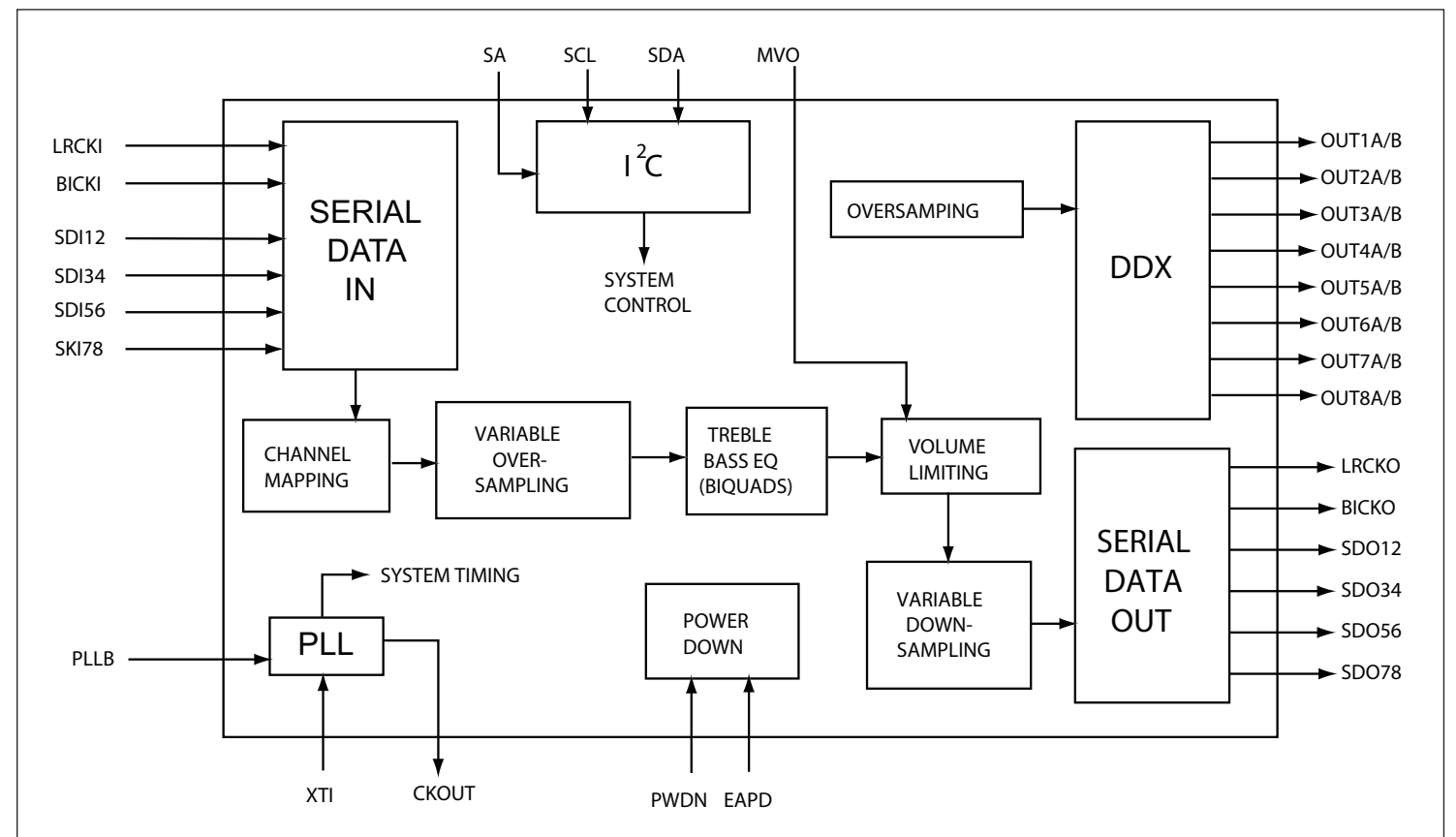
MAIN BOARD

TABLE OF CONTENTS

Internal IC Diagram6-1
 Circuit Diagram.....6-2
 PCB Layout Top View6-3
 PCB Layout Bottom View6-4



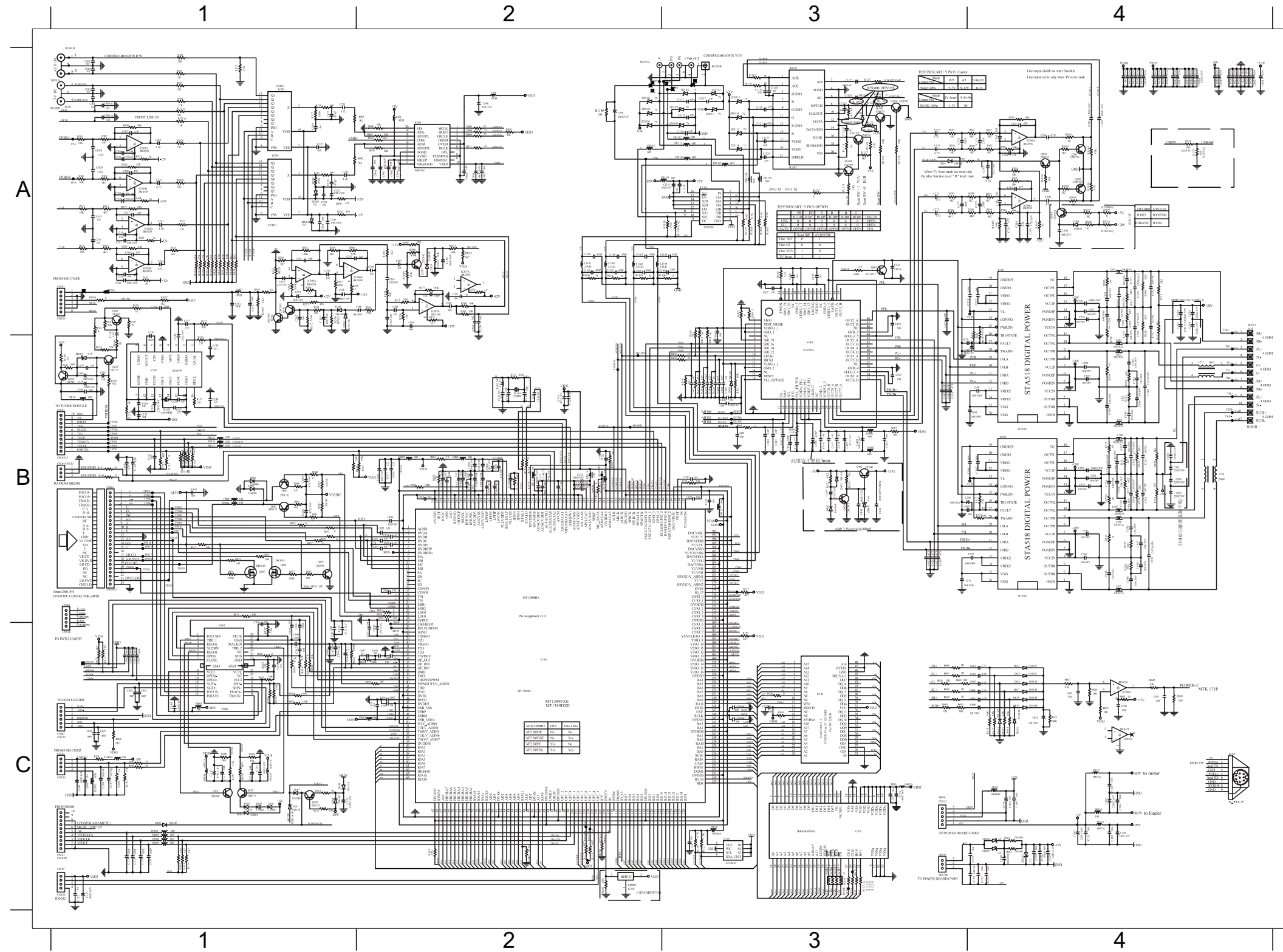
INTERNAL IC DIAGRAM - STA308A



CIRCUIT DIAGRAM - part one

6-2

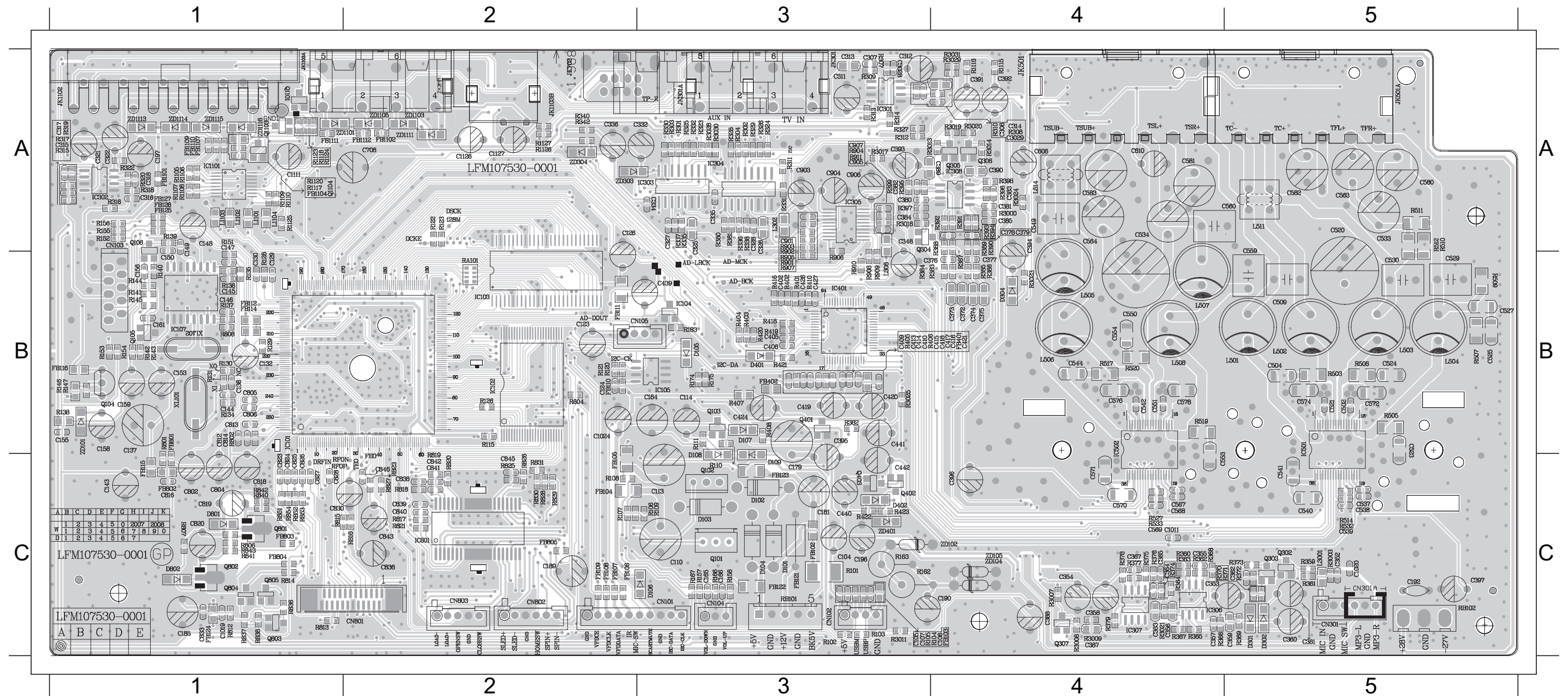
6-2



C1001A4	C182 C4	C421 B3	C801 B2	D614 C4	Q401 A3	R325 A1	R617 C4
C1002A4	C183 C4	C422 B3	C802 B2	D615 C4	Q402 B3	R326 A1	R618 C4
C1003A4	C184 C4	C423 A3	C803 B2	D616 C4	Q403 B3	R328 A1	R619 C4
C1004A4	C185 C4	C425 A3	C804 B2	D617 C4	Q801 B1	R329 A1	R686 C3
C1005A4	C186 C4	C426 A3	C805 B2	D618 C4	Q802 B1	R330 A1	R687 C3
C1006A4	C188 C4	C427 A3	C806 B2	D619 C4	Q803 B1	R332 A1	R688 C3
C1007A4	C189 C1	C431 A3	C807 B2	D801 B1	Q804 B1	R333 A1	R689 C3
C1008A4	C190 C4	C432 B3	C808 B2	D802 B1	Q805 B1	R334 A1	R690 C3
C1009A4	C191 C4	C433 B3	C809 B2	FB101C2	R106 C1	R335 A1	R691 C3
C101 C2	C193 C4	C434 B3	C810 B2	FB104C1	R107 C1	R336 A1	R692 C3
C1010A4	C194 C4	C435 B3	C811 B2	FB105C1	R108 C1	R337 A1	R693 C3
C1011A4	C195 C4	C436 B3	C812 B2	FB106C1	R109 C1	R338 A1	R801 B2
C1012A4	C196 C4	C437 B3	C813 B2	FB107C1	R110 C1	R340 A1	R802 B2
C1013A4	C197 C4	C438 B3	C814 B2	FB108C1	R1101A2	R342 A1	R803 B2
C1015A4	C301 A1	C439 B3	C815 B2	FB109C1	R1102A2	R359 A1	R804 C1
C1016A4	C302 A1	C440 B3	C816 B2	FB110C3	R1103A2	R360 A1	R806 B1
C1017A4	C303 A1	C441 B3	C817 B2	FB1101A3	R1104A2	R362 A1	R807 B1
C1018A4	C304 A1	C502 B4	C818 B2	FB1102A2	R1105A3	R363 A1	R808 B2
C1019A4	C315 A1	C504 B4	C819 B1	FB111C3	R1107A3	R364 A1	R812 B1
C102 A1	C316 A1	C505 B4	C820 B1	FB1111A3	R111 C1	R365 A1	R813 B1
C1020A4	C317 A1	C506 B4	C823 B2	FB1112A3	R1110 A3	R366 A1	R814 B1
C1021A4	C318 A1	C507 B4	C824 B2	FB112B3	R112 C3	R367 A1	R815 B2
C1022A4	C319 A1	C508 B4	C825 B2	FB113B2	R113 C1	R368 A1	R816 B2
C1023A4	C320 A1	C509 B4	C826 B2	FB114B2	R114 C1	R369 A2	R817 B1
C1024A4	C321 A1	C520 A4	C827 B2	FB115B2	R1140A2	R371 A1	R818 C1
C1025A4	C322 A1	C521 A4	C828 B2	FB116B1	R115 C2	R372 A1	R819 C1
C1026A4	C323 A1	C523 A4	C829 B2	FB121C4	R117 C2	R373 A1	R820 C1
C1027A4	C324 A1	C524 A4	C830 C2	FB122C4	R118 C2	R374 A2	R821 C1
C103 C2	C325 A1	C525 A4	C831 C2	FB123C4	R119 C1	R375 A2	R822 C1
C110 C1	C326 A1	C526 A4	C833 B1	FB124C4	R120 C3	R376 A2	R823 C1
C1101A2	C327 A1	C527 A4	C835 C1	FB125B1	R121 C3	R377 A2	R824 C2
C1102A2	C328 A1	C528 A4	C836 C1	FB126B1	R122 C3	R378 A2	R825 C1
C1103A2	C329 A1	C529 A4	C838 C1	FB127B1	R123 C3	R379 A2	R826 C1
C1104A2	C330 A1	C530 A4	C839 C1	FB401B3	R124 C3	R380 A2	R828 C1
C1105A2	C332 A1	C533 A4	C840 C1	FB402B3	R125 C3	R381 A2	R830 C1
C1106A2	C334 A1	C534 A4	C841 C1	FB801B2	R126 C3	R401 A3	R831 C1
C1107A2	C335 A1	C537 A4	C842 C1	FB802B2	R127 B3	R402 A3	R832 C1
C1108A2	C336 A1	C538 A4	C843 C1	FB803B1	R128 B3	R403 B3	R833 C1
C111 C1	C348 A2	C539 B3	C844 C1	FB804B1	R129 B2	R404 B3	R836 B1
C1110 A3	C351 A1	C540 B4	C845 C1	FB805C1	R130 B2	R405 B3	R837 B1
C1111 A3	C352 A1	C541 B4	C846 C1	IC101 C2	R131 B2	R406 B3	R838 B1
C1112 A3	C353 A1	C542 B4	C847 C2	IC102 C3	R133 B2	R407 B3	R840 B1
C1113 A3	C354 A1	C544 B4	C848 C2	IC103 C3	R134 B2	R408 A3	R841 B1
C1114 A3	C355 A1	C545 B4	C849 C2	IC104 C2	R146 B1	R410 A3	R844 C1
C1117 A3	C356 A1	C546 B4	C850 C1	IC105 C3	R147 B1	R416 B3	R851 B1
C112 C1	C357 A1	C547 B4	C851 C1	IC302 A1	R151 B1	R418 B3	R852 B1
C113 C1	C358 A1	C548 B4	C852 C1	IC303 A1	R152 B1	R419 B3	R853 B1
C114 C1	C359 A2	C549 B4	C853 C1	IC304 A1	R153 B1	R421 B3	R854 B1
C118 C1	C360 A2	C550 B4	C854 C1	IC305 A2	R155 B1	R422 B3	R901 A2
C119 C1	C361 A1	C551 B4	C855 C1	IC306 A1	R156 B1	R423 B3	R902 A2
C120 C1	C362 A1	C553 B4	C856 C1	IC307 A2	R157 B1	R501 B4	R903 A2
C121 C1	C363 A2	C554 B4	C857 C1	IC309 C4	R158 B1	R502 B4	R904 A2
C122 C1	C364 A2	C555 B4	C901 A2	IC401 B3	R159 C3	R503 B4	R905 A2
C123 C1	C365 A2	C556 B4	C902 A2	IC501 A4	R160 C3	R505 A4	R906 A2
C124 C3	C366 A2	C557 B4	C903 A2	IC502 B4	R162 C4	R506 A4	R907 A2
C125 C3	C367 A2	C558 B4	C904 A2	IC801 C1	R163 C4	R507 A4	R908 A2
C126 C3	C368 A2	C559 B4	C905 A2	JK1103AA2	R166 B2	R508 A4	R909 A2
C127 C3	C369 A2	C560 B4	C906 A2	JK301 A1	R167 B2	R509 A4	R910 A2
C128 B3	C370 A2	C563 B4	C907 A2	JK501 A4	R182 C2	R510 A4	R911 A2
C129 B3	C371 A2	C564 B4	CN101C1	JK501AA4	R183 C2	R511 A4	RA101C3
C130 B3	C387 A2	C567 B4	CN103B1	L1101 A2	R3003A1	R512 A4	RB101C3
C131 B2	C388 A2	C568 B4	CN104B1	L1102 A2	R3007A2	R514 A4	RB102C3
C132 B2	C396 B4	C569 B4	CN105C1	L1103 A2	R3008A2	R515 B4	XL101B2
C133 B2	C397 B3	C570 B4	CN301A1	L1104 A2	R3009A2	R516 B4	ZD101B1
C134 B2	C401 A3	C571 B4	CN801B1	L3001 A1	R301 A1	R517 B4	ZD102C4
C135 B2	C402 B3	C572 B4	CN802C1	L302 A2	R3010A2	R519 B4	ZD104C4
C136 B2	C403 B3	C574 A4	CN803B1	L308 A2	R3011A2	R520 B4	ZD105C4
C137 B2	C404 B3	C576 B4	D101 C1	L501 B4	R3012A2	R521 B4	ZD1101A2
C139 B2	C405 B3	C578 B4	D102 C1	L502 B4	R302 A1	R522 B4	ZD1102A3
C140 B2	C406 B3	C580 A4	D103 C1	L503 B4	R3021A2	R523 B4	ZD1103A2
C142 B2	C407 B3	C581 A4	D104 C1	L504 A4	R3026A1	R524 B4	ZD1104A3
C143 B2	C408 B3	C582 B4	D105 C1	L505 B4	R3027A1	R525 B4	ZD1105A2
C144 B2	C409 B3	C583 B4	D106 C1	L506 B4	R303 A1	R526 A4	ZD1106A3
C154 B1	C410 B3	C601 C4	D107 C1	L507 B4	R304 A1	R527 B4	ZD1111A3
C157 B1	C411 B3	C602 C4	D108 C1	L508 B4	R315 A1	R532 A4	ZD1112A3
C158 B1	C412 B3	C603 C4	D109 C1	L511 B4	R316 A1	R533 B4	ZD303A1
C159 B1	C413 B3	C604 C4	D301 A1	L514 B4	R317 A1	R601 C4	ZD304A1
C160 B1	C414 B3	C605 C4	D302 A1	Q101 C1	R318 A1	R602 C4	ZD401B3
C162 B1	C415 B3	C606 C4	D303 A2	Q102 C1	R319 A1	R603 C4	
C165 B1	C416 B3	C607 C4	D401 B3	Q103 C1	R320 A1	R605 C4	
C166 B1	C417 B3	C608 C4	D402 B3	Q104 B1	R321 A1	R606 C4	
C179 C4	C418 B3	C610 C4	D403 B3	Q302 A1	R322 A1	R607 C4	
C180 C4	C419 B3	C611 C4	D612 C4	Q303 A1	R323 A1	R614 C4	
C181 C4	C420 B3	C706 A2	D613 C4	Q307 A2	R324 A1	R615 C4	

PCB LAYOUT - TOP VIEW

C1011C4	C159 B1	C332 A2	C367 C4	C439 B3	C538 C5	C571 C4	C816 C1	C845 C2	D104 C3	FB1101A1	FB802C3	JK1103AA3	L511 A4	R108 C2	R147 B1	R302 A3	R335 A3	R374 C4	R419 B3	R533 C4	R826 C2	R907 A3	ZD401C3
C1019C1	C165 C3	C334 A3	C396 C4	C440 C3	C539 C5	C572 B5	C818 C1	C846 C2	D105 B3	FB1102A2	FB803C1	JK301 A3	L514 A4	R109 C3	R151 A1	R3021C4	R336 A3	R375 C4	R421 B3	R801 B1	R828 C2	R908 B3	
C1020C5	C166 C3	C335 A3	C397 C5	C441 B3	C540 C5	C574 B5	C819 C1	C901 A3	D106 C3	FB111 B2	FB804C1	JK501 A3	Q101 A3	R110 C3	R152 A1	R303 A3	R337 A3	R376 C4	R422 C3	R802 B1	R830 C2	R909 B3	
C1024B2	C179 C3	C336 A2	C402 B3	C502 B5	C541 C5	C576 B4	C820 C1	C903 A3	D107 B3	FB1111A1	FB805C2	JK501AA4	Q102 C3	R1105 A1	R153 B1	R304 A3	R338 A3	R377 C4	R423 C3	R804 B2	R831 C2	R910 B3	
C110 C3	C181 C3	C348 A3	C405 B3	C504 B5	C542 B4	C578 B4	C823 C1	C904 A3	D108 B3	FB1112A2	IC101 B1	L1101 A1	Q103 B3	R1107 A1	R155 A1	R315 A1	R340 A2	R378 C4	R503 B4	R806 C1	R836 C1	R911 A3	
C1111 A1	C184 B3	C352 C5	C406 B3	C505 B5	C544 B4	C580 A4	C824 C1	C905 A3	D109 C3	FB112 B1	IC102 B2	L1102 A1	Q104 B1	R111 B3	R156 A1	R316 A1	R342 A2	R379 C4	R505 B4	R807 C1	R837 C1	RA101B2	
C113 C3	C185 C1	C353 C4	C409 B3	C506 B5	C549 A4	C581 A4	C825 C1	C906 A3	D301 C5	FB114 B1	IC103 B2	L1103 A1	Q302 C5	R1110 A1	R157 C3	R317 A1	R359 C5	R380 A3	R506 B4	R808 B1	R838 C1	RB101C3	
C114 B5	C189 C2	C354 C4	C410 B3	C509 B5	C550 B4	C582 A4	C826 C1	C907 A3	D302 C5	FB115 C1	IC104 B3	L1104 A1	Q303 C5	R115 B2	R158 C3	R318 A1	R360 C4	R381 A3	R507 B5	R812 C1	R840 C1	RB102C5	
C123 B2	C190 C4	C355 C4	C413 B3	C520 A4	C551 B4	C583 A4	C827 C1	CN101C3	D401 B3	FB116 B1	IC105 B3	L3001 C5	Q307 C4	R120 B2	R162 C3	R319 A1	R362 C4	R401 B3	R509 B5	R813 C1	R841 C1	XL101 B1	
C124 B2	C315 A1	C356 C4	C414 B3	C521 B5	C553 C4	C606 A4	C828 C1	CN103A1	D402 C3	FB121C3	IC302 A1	L302 A3	Q401 B3	R121 B2	R163 C3	R320 A1	R363 C4	R402 B3	R510 A4	R814 C1	R851 C1	ZD101B1	
C126 A2	C316 A1	C357 C4	C415 B4	C523 B5	C554 B4	C610 A4	C830 C1	CN104C3	D801 C1	FB122C3	IC303 A3	L308 B3	Q402 C3	R122 A2	R166 C3	R322 A1	R364 C4	R403 B3	R511 A4	R815 C1	R852 C1	ZD102C4	
C128 B1	C317 A1	C358 C4	C416 B4	C524 B5	C559 B5	C706 A2	C833 C1	CN105B2	D802 C1	FB123C3	IC304 A3	L501 B5	Q403 C3	R123 A2	R167 C3	R323 A3	R365 C4	R404 B3	R512 A4	R816 C2	R853 C1	ZD104C4	
C129 B1	C318 A1	C359 C5	C417 B4	C525 B5	C560 A4	C802 C1	C836 C2	CN301C5	FB104C2	FB124C3	IC305 A3	L502 B5	Q801 C1	R126 B2	R183 B3	R324 A3	R366 C4	R405 B3	R514 C5	R817 C2	R854 C1	ZD105C4	
C130 B1	C321 A1	C360 C5	C418 B4	C527 B5	C563 A4	C804 C1	C838 C2	CN801C2	FB105C2	FB125A1	IC306 C4	L503 B5	Q802 C1	R128 B1	R3003C5	R325 A3	R367 C4	R406 B4	R517 B4	R818 C2	R901 B3	ZD1101A2	
C132 B1	C322 A1	C361 C5	C419 B3	C529 B5	C564 A4	C805 B1	C839 C2	CN802C2	FB106C2	FB126A1	IC307 C4	L504 B5	Q803 C1	R129 B1	R3007C4	R326 A3	R368 C4	R407 B3	R519 B4	R819 C2	R902 B3	ZD1103A2	
C137 B1	C325 A3	C362 C5	C420 B3	C530 B5	C567 C4	C806 B1	C840 C2	CN803C2	FB107C2	FB127A1	IC401 B3	L505 B4	Q804 C1	R130 B1	R3008C4	R328 A3	R369 C5	R408 B3	R520 B4	R820 C2	R903 A3	ZD1105A2	
C143 C1	C326 A3	C363 C4	C421 B4	C533 A4	C568 C4	C812 B1	C841 C2	D101 C3	FB108C2	FB401 B4	IC501 B5	L506 B4	Q805 C1	R131 B1	R3009C4	R329 A3	R371 C4	R410 B3	R525 B5	R821 C2	R904 A3	ZD1111A2	
C144 B1	C327 A3	C364 C4	C426 B3	C534 A4	C569 C4	C813 B1	C842 C2	D102 C3	FB109C2	FB402 B3	IC502 B4	L507 B4	R106 C3	R134 B1	R301 A3	R330 A3	R372 C5	R416 B3	R527 C4	R823 C2	R905 B3	ZD303A2	
C158 B1	C328 A3	C365 C4	C427 B3	C537 C5	C570 C4	C814 B1	C843 C2	D103 C3	FB110 B2	FB801 B1	IC801 C2	L508 B4	R107 C2	R146 B1	R3011 C3	R332 A3	R373 C5	R418 B3	R532 C5	R825 C2	R906 B3	ZD304A2	

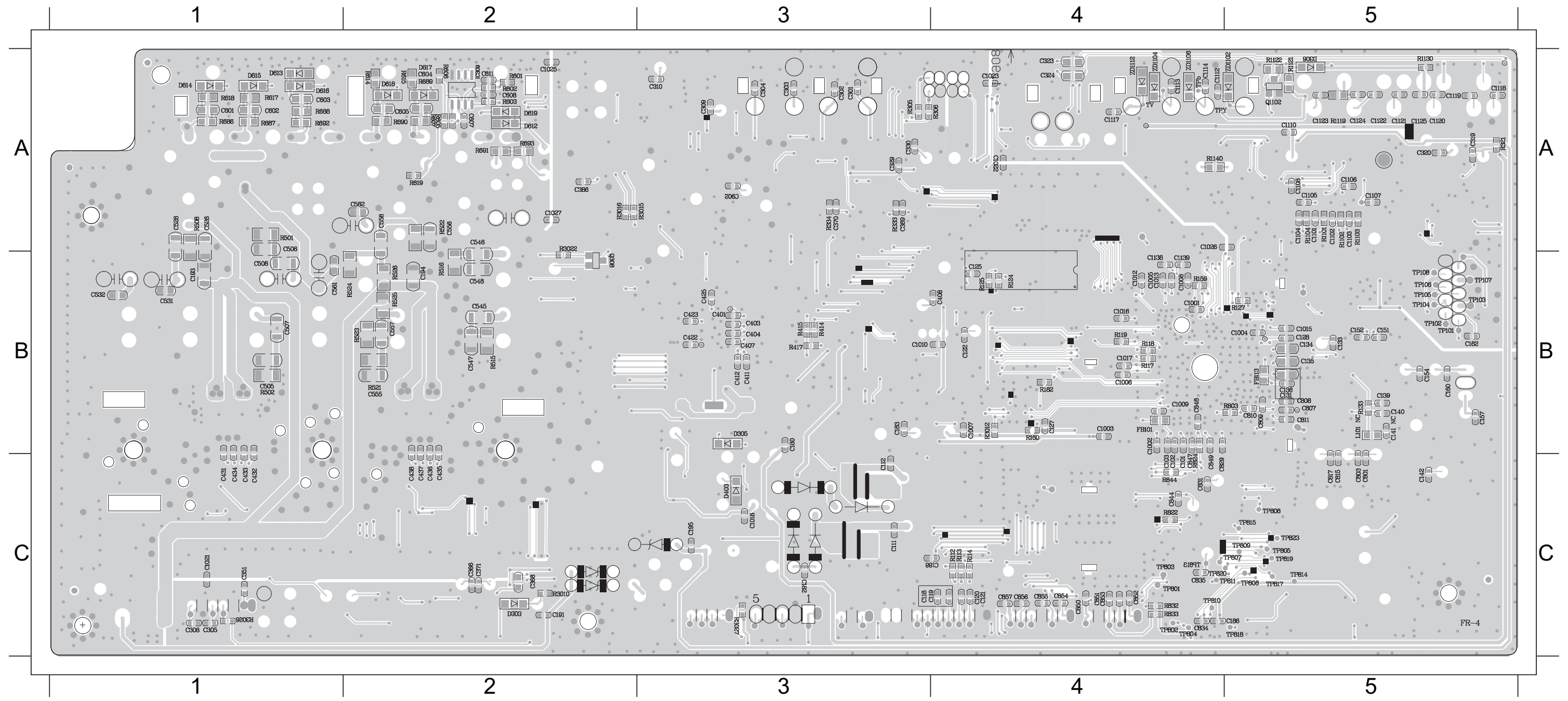


PCB LAYOUT - BOTTOM VIEW

6 - 4

6 - 4

C1001B4	C1010B3	C1023A4	C1106A5	C118 C3	C135 B5	C182 C3	C303 A3	C368 A2	C408 B4	C435 C2	C545 B2	C603 A1	C809 B5	C848 B4	C902 A3	D619 A2	R114 C4	R160 B4	R502 B1	R601 A2	R619 A2	R822 C4
C1002B4	C1012B4	C1025A2	C1107A5	C119 C4	C136 B5	C183 B3	C304 A3	C369 A3	C411 B3	C436 C2	C546 A2	C604 A2	C810 B5	C849 C4	D303 C2	FB101B4	R1140A4	R182 B4	R508 A1	R602 A2	R686 A1	R824 C4
C1003B4	C1013B4	C1026A4	C1108A5	C120 C4	C139 B5	C186 C5	C319 A5	C370 A3	C412 B3	C437 C2	C547 B2	C605 A2	C811 B5	C850 C4	D403 C2	FB113B5	R117 B4	R3010C2	R515 B2	R603 A2	R687 A1	R832 C4
C1004B5	C1015B5	C1027A2	C111 C3	C121 C4	C140 B5	C188 C3	C320 A5	C371 A2	C422 B3	C438 C2	C548 B2	C607 A2	C815 C5	C851 C4	D612 A2	IC309 A2	R118 B4	R3012B4	R516 B2	R605 A2	R688 A1	R833 C4
C1005B4	C1016B4	C103 C4	C1110A5	C122 B4	C142 C5	C191 C2	C323 A3	C387 C4	C423 B3	C505 B1	C555 B2	C608 A2	C817 C5	C852 C4	D613 A1	R1101A5	R119 B4	R3026C1	R521 B2	R606 A2	R689 A2	R844 C4
C1006B4	C1017B4	C1101A5	C1112A4	C125 B4	C154 B5	C193 B1	C324 A3	C388 C4	C425 B3	C506 A1	C556 A2	C611 A2	C829 C4	C853 C4	D614 A1	R1102A5	R124 B4	R3027C3	R522 A2	R607 A2	R690 A2	ZD1102A5
C1007B4	C1018C3	C1102A5	C1113A4	C127 B4	C157 B5	C194 B2	C329 A3	C401 B3	C431 C1	C507 B1	C557 B2	C801 C5	C831 C4	C854 C4	D615 A1	R1103A5	R125 B4	R321 A5	R523 B2	R614 A2	R691 A2	ZD1104A4
C1008B4	C102 C4	C1103A5	C1114A4	C131 B5	C160 B5	C195 C3	C330 A3	C403 B3	C432 C1	C508 B1	C558 A2	C803 C5	C835 C4	C855 C4	D616 A1	R1104A5	R127 B5	R333 A3	R524 B2	R615 A2	R692 A1	ZD1106A4
C1009B4	C1021C1	C1104A5	C1117A4	C133 B5	C162 B5	C301 A3	C351 C1	C404 B3	C433 C1	C526 A1	C601 A1	C807 C5	C844 C4	C856 C4	D617 A2	R112 C4	R133 B5	R334 A3	R525 B2	R617 A1	R693 A2	ZD1112A4
C101 C4	C1022A4	C1105A5	C112 C3	C134 B5	C180 B3	C302 A3	C366 A2	C407 B3	C434 C1	C528 A1	C602 A1	C808 B5	C847 C4	C857 C4	D618 A2	R113 C4	R159 B4	R501 A1	R526 B2	R618 A1	R803 B5	

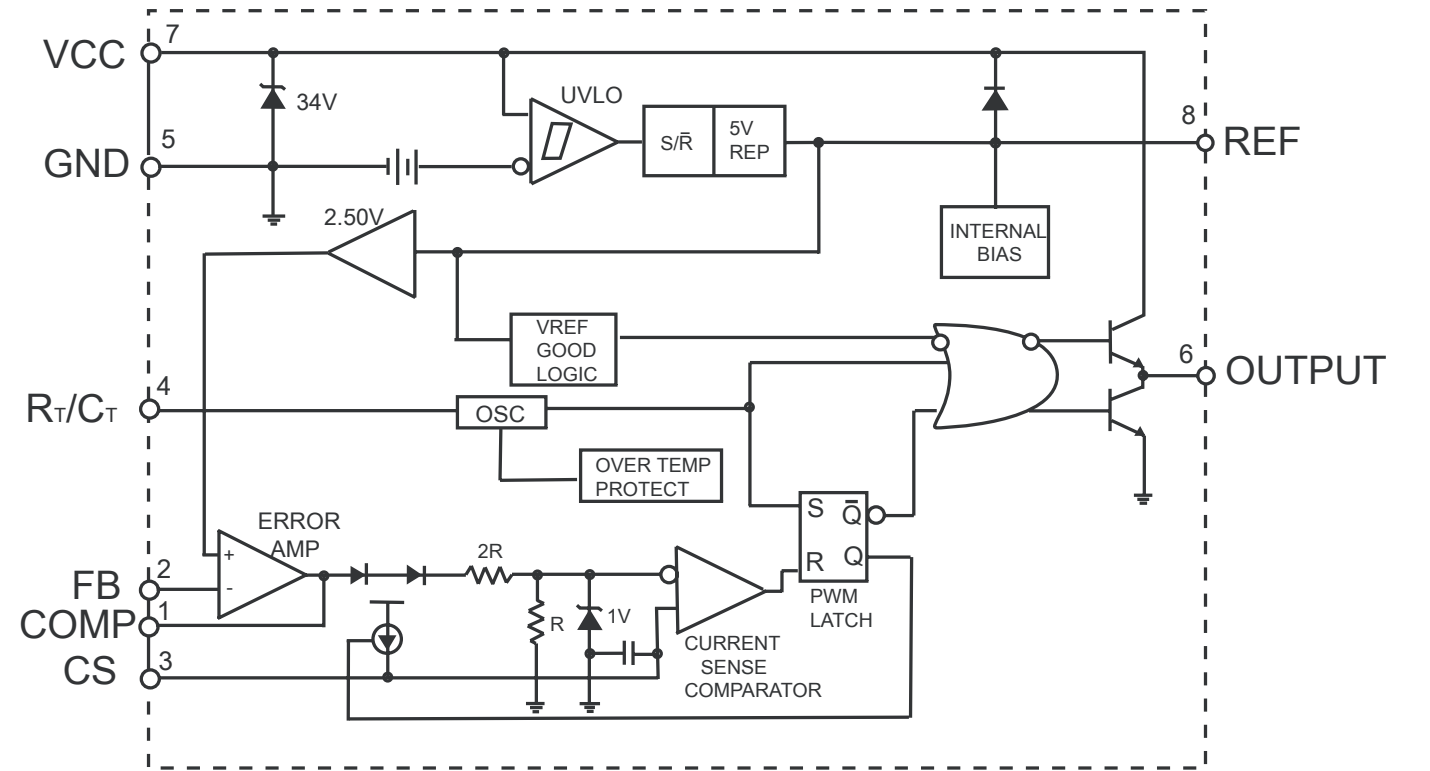


POWER BOARD

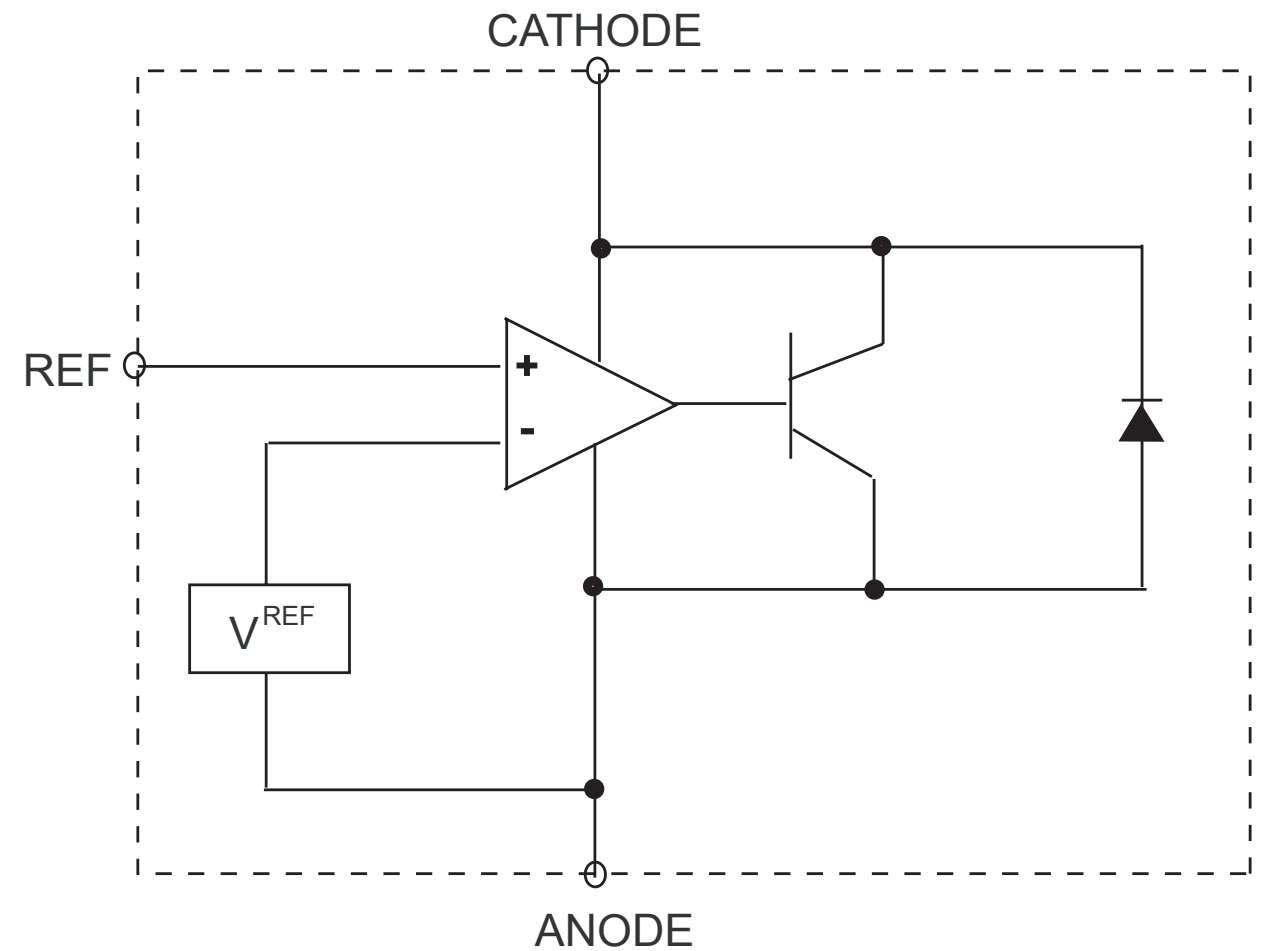
TABLE OF CONTENTS

Internal IC Diagram7-1
 Circuit Diagram7-2
 PCB Layout Top View7-3
 PCB Layout Bottom View7-4

INTERNAL IC DIAGRAM - AP3843GMTR ⁷⁻¹

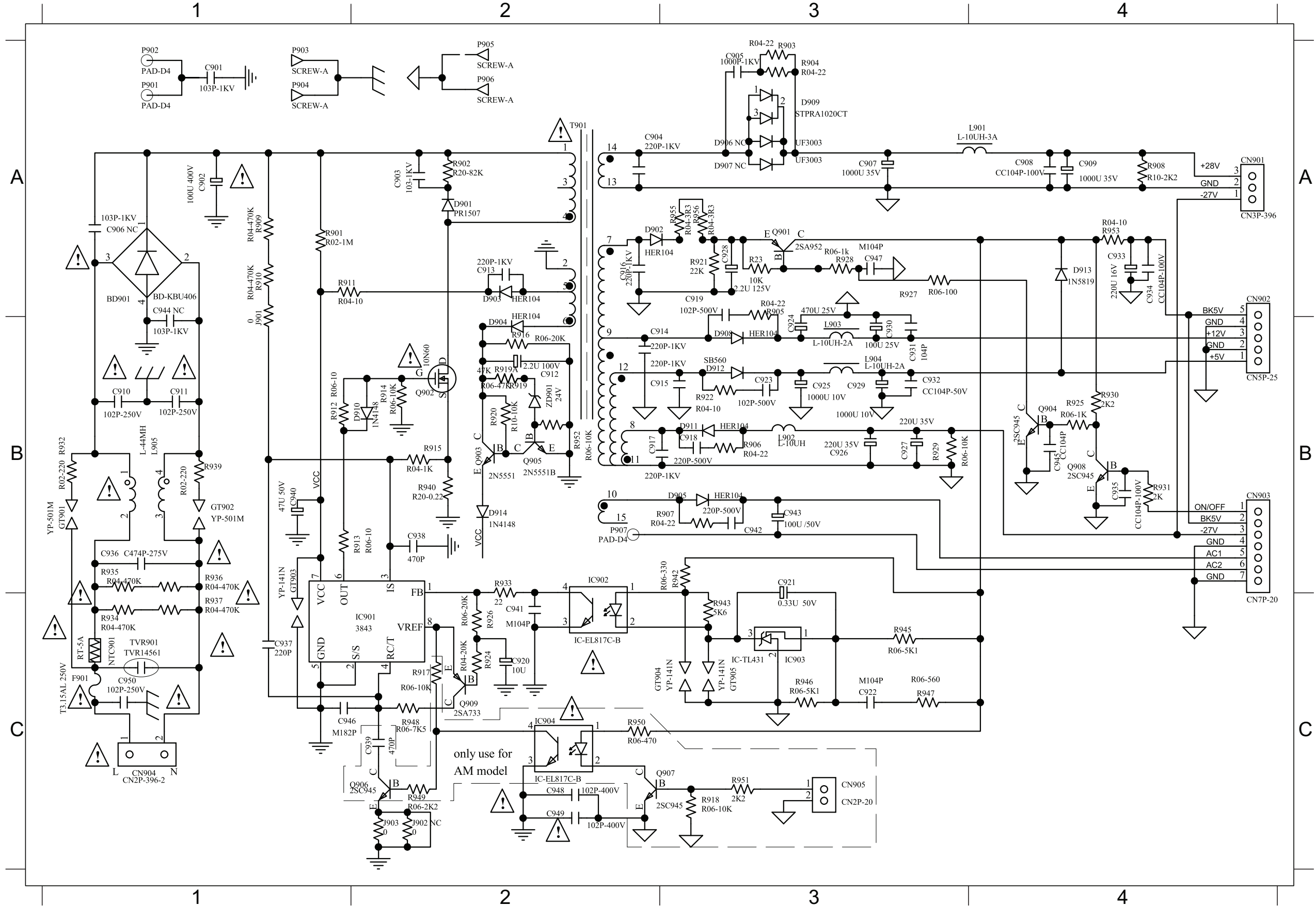


INTERNAL IC DIAGRAM - AZ431



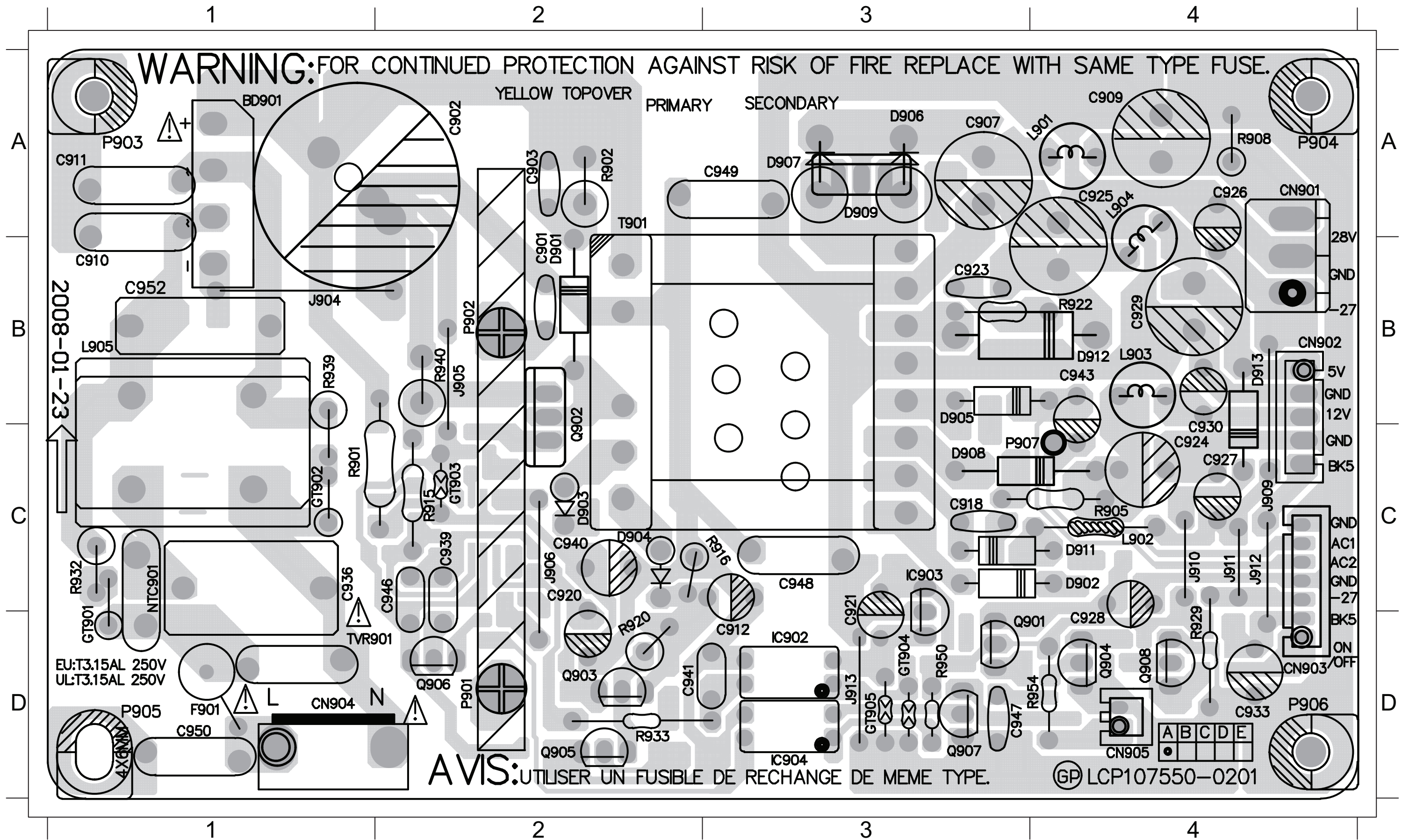
CIRCUIT DIAGRAM

BD901	A1	C909	A4	C917	B2	C925	B3	C933	A4	C942	B3	CN902	A4	D908	B3	GT901	B1	L903	B3	Q905	B2	R906	B3	R914	B2	R924	C2	R932	B1	R942	B3	R955	A3
C901	A1	C910	B1	C918	B3	C926	B3	C934	A4	C943	B3	CN903	B4	D909	A3	GT902	B1	L904	B3	Q908	B4	R907	B3	R915	B2	R925	B4	R933	C2	R943	C3	R956	A3
C902	A1	C911	B1	C919	A3	C927	B3	C935	B4	C945	B4	CN904	C1	D910	B2	GT903	B1	L905	B1	Q909	C2	R908	A4	R916	B2	R926	C2	R934	C1	R945	C3	T901	A2
C903	A2	C912	B2	C920	C2	C928	A3	C936	B1	C946	C1	D901	A2	D911	B3	IC901	C2	NTC901	C1	R901	A1	R909	A1	R919	B2	R927	A3	R935	B1	R946	C3	TVR901	C1
C904	A2	C913	A2	C921	B3	C929	B3	C937	C1	C947	A3	D902	A2	D912	B3	IC902	B2	Q901	A3	R902	A2	R910	A1	R920	B2	R928	A3	R936	B1	R947	C3	ZD901	B2
C905	A3	C914	B2	C922	C3	C930	B3	C938	B2	C948	C2	D903	A2	D913	A4	IC903	C3	Q902	B2	R903	A3	R911	A1	R921	A3	R929	B3	R937	C1	R948	C2		
C907	A3	C915	B2	C923	B3	C931	B3	C940	B1	C949	C2	D904	B2	D914	B2	L901	A3	Q903	B2	R904	A3	R912	B1	R922	B3	R930	B4	R939	B1	R952	B2		
C908	A4	C916	A2	C924	B3	C932	B3	C941	C2	CN901	A4	D905	B3	F901	C1	L902	B3	Q904	B4	R905	A3	R913	B2	R923	A3	R931	B4	R940	B2	R953	A4		



PCB LAYOUT - TOP VIEW

BD901	A1	C910	B1	C923	B3	C929	B4	C943	B4	CN902	B4	D904	C2	D913	B4	IC903	C3	J911	C4	L904	A4	Q904	D4	R908	A4	R932	C1
C901	B2	C911	A1	C924	C4	C930	B4	C946	C2	CN903	D3	D905	B3	F901	D1	J904	B1	J912	C4	L905	B1	Q905	D2	R915	C2	R933	D2
C902	A2	C912	D3	C925	A4	C933	D4	C947	D3	CN904	D1	D908	C3	GT901	C1	J905	B2	J913	D3	NTC901	C1	Q908	D4	R916	C3	R939	B1
C903	A2	C918	C3	C926	A4	C936	C1	C948	C3	D901	B2	D909	A3	GT902	C1	J906	C2	L901	A4	Q901	D3	R901	C1	R920	D2	R940	B2
C907	A3	C920	C2	C927	C4	C940	C2	C949	A3	D902	C4	D911	C4	GT903	C2	J909	C4	L902	C4	Q902	B2	R902	A2	R922	B4	T901	A2
C909	A4	C921	C3	C928	D4	C941	D2	CN901	A4	D903	C2	D912	B4	IC902	D3	J910	C4	L903	B4	Q903	D2	R905	C4	R929	D4	TVR901	D1

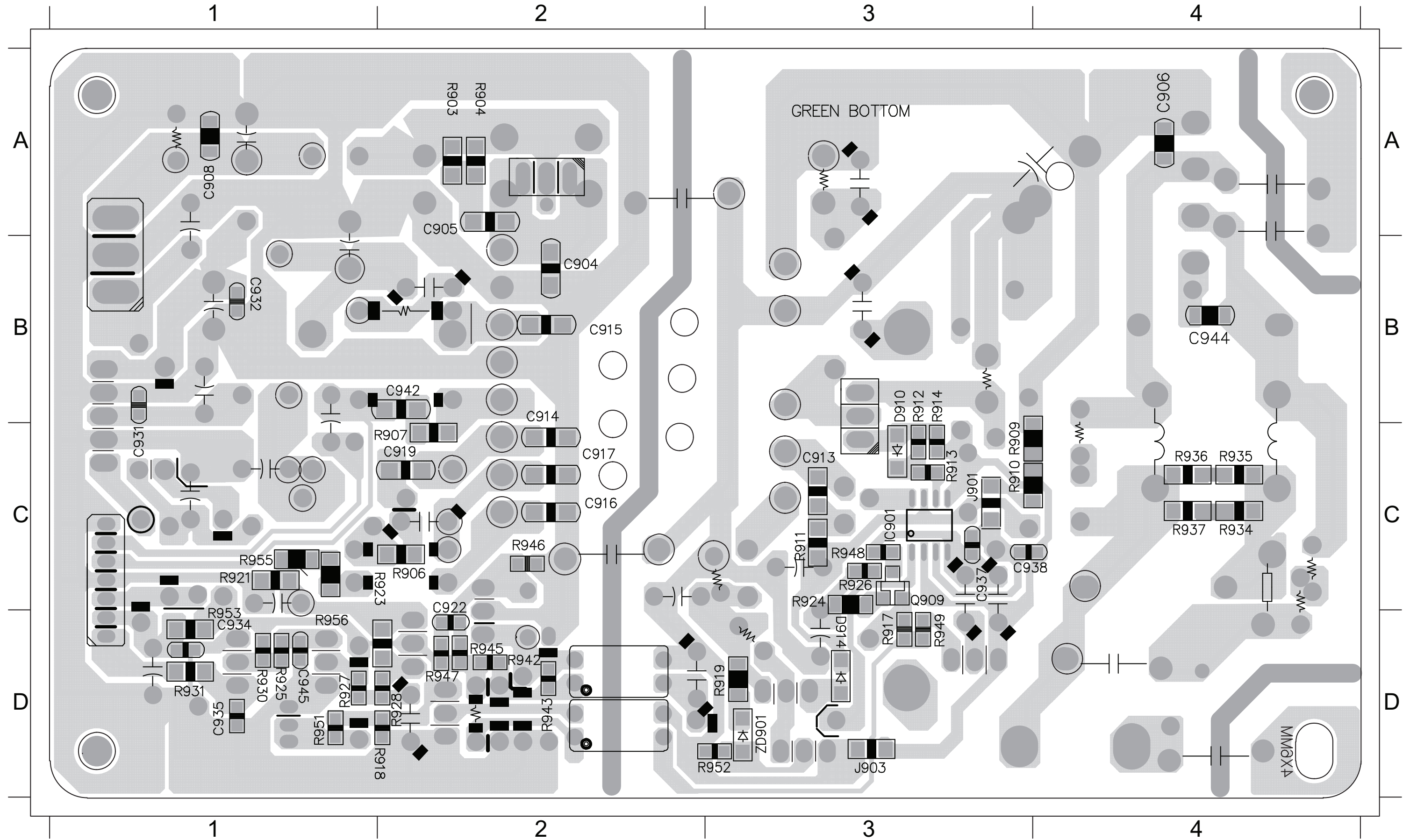


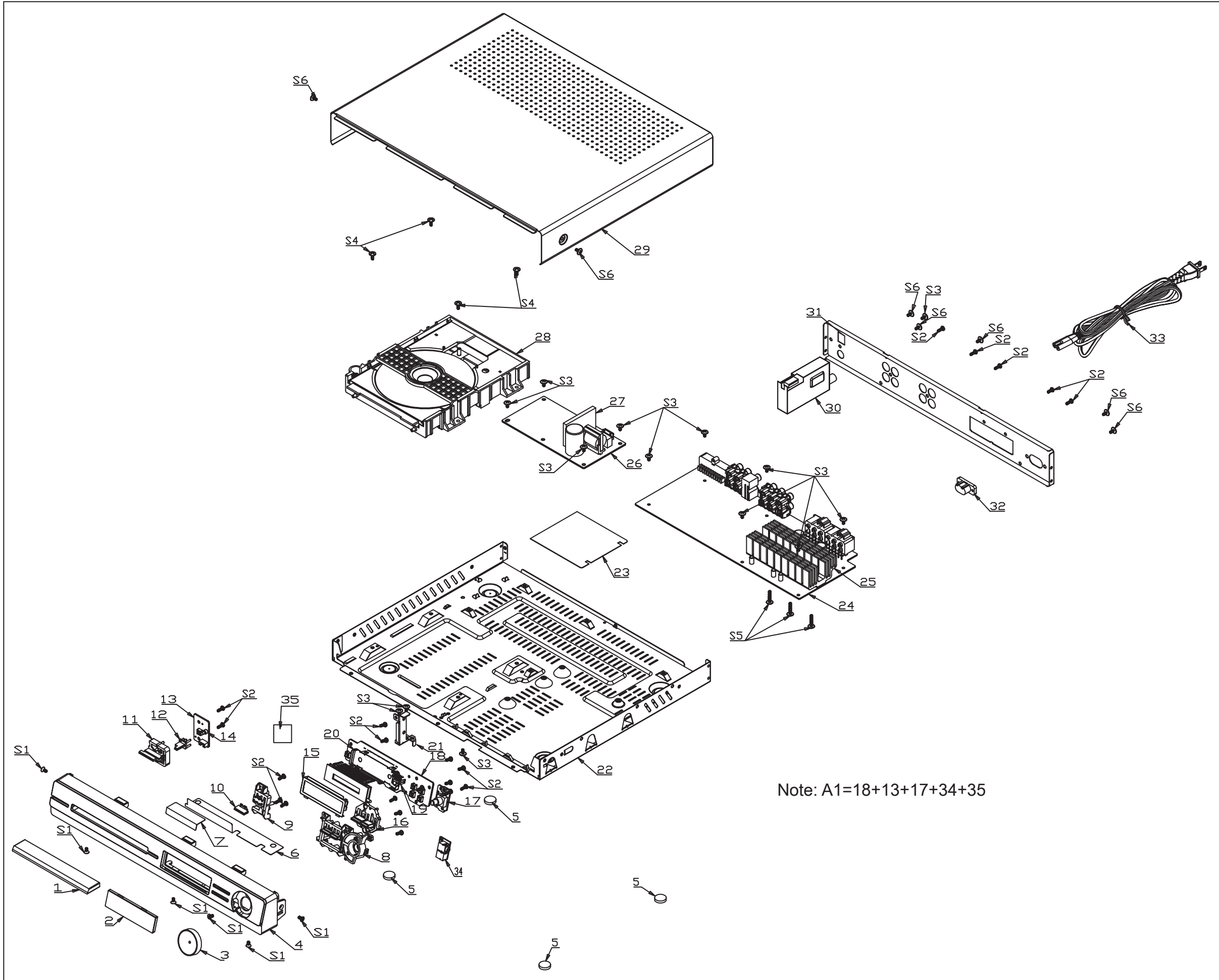
PCB LAYOUT - BOTTOM VIEW

7-4

7-4

C904	B2	C914	B2	C919	C2	C934	D1	C942	B2	IC901	C3	R903	A2	R909	C3	R913	C3	R923	C1	R927	D1	R934	C4	R942	D2	R947	D2	R955	C1
C905	A2	C915	B2	C922	C2	C935	D1	C945	D1	J901	C3	R904	A2	R910	C3	R914	B3	R924	C3	R928	D2	R935	C4	R943	D2	R948	C3	R956	D1
C908	A1	C916	C2	C931	C1	C937	C3	D910	B3	J903	D3	R906	C2	R911	C3	R919	D3	R925	D1	R930	D1	R936	C4	R945	D2	R952	D2	ZD901	D3
C913	C3	C917	C2	C932	B1	C938	C3	D914	D3	Q909	C3	R907	C1	R912	B3	R921	C1	R926	C3	R931	D1	R937	C4	R946	C2	R953	D1		





MECHANICAL PART LIST

Loc.	12NC No.	Description
MAIN		
1	996510012023	DVD DOOR HIPS
2	996510001640	DISPLAY LENS
3	996510012024	VOL KNOB
4	996510012532	FRONT CABINET
5	994000005305	RUBBER FOOT
8	996510012026	FUN BUTTON BASE ABS
9	996510001644	EJECT BUTTON BASE
10	996510012027	EJECT BUTTON ABS
11	996510012028	STANDBY BUTTON ABS
12	996510001258	STANDY LED LENS
16	996510012029	FUNCTION BUTTON ABS
22	996510012030	BTM CAB SECC
23	996510012031	PVC SHEET
24	996510018516	MAIN PCB ASSY
26	996510016020	POWER PCB
28	996510017573	DVD LOADER
29	996510008742	TOP COVER
30	996510011275	TUNER PACK
31	996510014049	REAR PANEL SECC
33	996510002650	POWER CORD
A1	996510016021	VFD+STANDBY+VOL+MP3+BKT PCB
FM	996510008251	FM ANT
RC	996510012534	REMOTE CONTROL
V1	996510007337	FFC CABLE 10P 60MM
VIDEO	996500013058	RCA CABLE 2P 1.2M

SPEAKER

RFC/FF/FR	996500036131	RUBBER FOOT M/S/C/W
RFS	996500028375	RUBBER FOOT
SPKC	996510018469	SPEAKER BOX -CENTER
SPKFL	996510018470	SPEAKER BOX - FRONT LEFT
SPKFR	996510018471	SPEAKER BOX - FRONT RIGHT
SPKRL	996510018472	SPEAKER BOX - REAR LEFT
SPKRR	996510018473	SPEAKER BOX - REAR RIGHT
SUBW	996510018474	SUBWOOFER

MAIN PCB

CN101	996510012539	CONNECTOR 10 PIN PITCH=2.0mm
CN103	996510012497	FPC/FFC CONN. 10P
CN104	996500015900	CONNECTOR 3 PIN P=2.0MM
CN301	996500015900	CONNECTOR 3 PIN P=2.0MM
CN802	996500015901	CONNECTOR 6 PIN P=2.0MM
CN803	996500015895	CONNECTOR 5 PIN P=2.0MM
D101	996510010358	DIODE 1N4007
D102	996510010358	DIODE 1N4007
D103	996510010358	DIODE 1N4007
D104	996510010358	DIODE 1N4007
IC101	996510012540	IC256PMT1389DXE/HDLQFPMEDIATEK
IC102	996510018517	IC48P EN29LV160AB-70TCPTSOPEON
IC103	996510004115	IC 54P AS81F641642C-6P TSOPII
IC103	996510009895	IC 54P A641604L-6T TSOP II
IC104	994000005209	IC 3P AZ809NSTR-E1 SOT23
IC105	996510004289	IC 8P TU24C16CS2 SOIC TURBO
IC302	996500029611	IC 8P CO4558A SO8 CERAMATE LF
IC303	996510012503	IC 16P CD4051BM SOIC TI ANALOG
IC304	996510012503	IC 16P CD4051BM SOIC TI ANALOG
IC305	996510012504	IC 20P WM8782SEDS SSOP WOLFSON
IC306	996500029611	IC 8P CO4558A SO8 CERAMATE LF
IC307	996500029611	IC 8P CO4558A SO8 CERAMATE LF
IC309	996500029611	IC 8P CO4558A SO8 CERAMATE LF
IC401	996510012527	IC 64P STA309A TQFP ST

Loc.	12NC No.	Description
IC501	996510012541	IC 36P STA518 PSSO ST 40V 3.5A
IC502	996510012541	IC 36P STA518 PSSO ST 40V 3.5A
IC801	996510012506	IC 28P AM5888S L/F HSOP AMTEK
JK1103A	996510012542	RCA JACK4PRED-GRN/YEL-BLUW/GND
JK301	996510004283	RCA JACK 4P AUDIO
JK501501A	996510013837	GPSPK JAC12P RD-WT-GRN-GRY-BLU
L501	996500016695	30UH 15% 1KHZ 0.25V 2A
L502	996500016695	30UH 15% 1KHZ 0.25V 2A
L503	996500016695	30UH 15% 1KHZ 0.25V 2A
L504	996500016695	30UH 15% 1KHZ 0.25V 2A
L505	996500016695	30UH 15% 1KHZ 0.25V 2A
L506	996500016695	30UH 15% 1KHZ 0.25V 2A
L507	996500016695	30UH 15% 1KHZ 0.25V 2A
L508	996500016695	30UH 15% 1KHZ 0.25V 2A
L511	996500016692	20UH D0.5MM 4PIN
L514	996500016692	20UH D0.5MM 4PIN
Q101	996510012543	PNP TRANSISTOR TIP42CTO-220UTC
Q102	996500026946	XISTR PNP 2SB772P/Q NEC PB<10
Q103	994000000921	XISTR PNP 2SA812 HFE:200-400
Q104	996510000615	XISTR NPN 2SC945P
Q302	994000000915	XISTR NPN 2SC1623
Q303	994000000915	XISTR NPN 2SC1623
Q307	994000000915	XISTR NPN 2SC1623
Q401	996510000578	XISTR NPN KTC3875-Y
Q402	994000000915	XISTR NPN 2SC1623
Q403	994000000915	XISTR NPN 2SC1623
Q801	996500026927	XISTR PNP 2SB1132RT100 ROHM HF
Q802	996500026927	XISTR PNP 2SB1132RT100 ROHM HF
Q803	994000000915	XISTR NPN 2SC1623
Q804	996510004117	FET 2SK3018 30V/0.1A SC-70
Q805	996510004117	FET 2SK3018 30V/0.1A SC-70
R162	996510012544	RES. 560 OHM 2W 5% MO
R163	996510012544	RES. 560 OHM 2W 5% MO
XL101	996510000568	CRYST 27.0000MHZ +/-20PPM
ZD101	996500027086	CHIP ZENER 9.1V 5% 0.5W (F4) S
ZD102	996500026940	DIODE ZENR 11.9-12.4V 0.5W
ZD104	996510012545	DIODEZENR 5.3-5.5V 0.5WHITACHI
ZD105	996510012545	DIODEZENR 5.3-5.5V 0.5WHITACHI

VFD+STANDBY+VOL+MP3+BRACKET PCB

D202	996500026949	DIODE SW 1N4148 PB<1000PPM
D203	996500026949	DIODE SW 1N4148 PB<1000PPM
IC200	994000005266	IC 52P V63111 QFP
Q200	994000000921	XISTR PNP 2SA812 HFE:200-400
SN200	994000005472	IRT RECEIVER IRM-2638AF4
XL200	996510012536	RES CERAMIC 455KHZ ZTB455ET4C
ZD200	996510010364	DIODE ZENER 5.32-5.88V 0.5W
JK1	996510012537	PHONE JACK D3.5 7P LIGHT GREY

POWER PCB

BD901	996500041295	BRIDGE RS406 4A 600V UL
C901	996500018042	COND DISC 0.01UF 1KV 20%
C902	996510004296	ELEC 100UF 400V 20% 22x30x10
C903	996500018042	COND DISC 0.01UF 1KV 20%
C910	996500027115	CAP.SAFTY Y1 102PF 250V 20% Y5
C911	996500027115	CAP.SAFTY Y1 102PF 250V 20% Y5
C912	996510012547	CONDELECT 2.2uF 125V 20% 105'C
C923	996500020261	COND DISC 0.001UF 1KV 20%
C941	996510004633	COND MYLAR 0.1 uF 100V 5%
C946	996510010365	COND MYLAR 0.0018uF 100V 5%
C947	996500020275	COND DISC 0.1UF 100V
C948	996500027115	CAP.SAFTY Y1 102PF 250V 20% Y5
C949	996500027115	CAP.SAFTY Y1 102PF 250V 20% Y5

Loc.	12NC No.	Description
CN901	996500019399	CONNECTOR 3P CL3962WVO
CN902	996500015863	CONNECTOR B5B-XH-A 5 PIN
CN903	996500017358	CONNECTOR 7P
CN904	996500015936	CONNECTOR 4PIN P=3.96MM
D901	994000000938	DIODE PR1507 1.5A 1000V
D902	994000000941	DIODE HER104 1A 300V 50NS
D903	994000000941	DIODE HER104 1A 300V 50NS
D904	996510012516	DIODEHER105 DO-411A400V50nSFMS
D905	994000000941	DIODE HER104 1A 300V 50NS
D908	994000000941	DIODE HER104 1A 300V 50NS
D909	994000005459	DIODE STPR1020CT
D911	994000000941	DIODE HER104 1A 300V 50NS
D912	996500041297	DIODE SB560 DO-201AD CTC 5A 60
D913	996510004297	IN5819 1A 28V SCHOTTKY
F901	996510004105	FUSE T3.15AL 250V
IC901	996510004113	IC 8P AP3843GMTR-E1
IC902	994000000946	OPTICAL SENSOR 4P
IC903	994000000952	IC 3PIN TL431
IC903	996500029312	IC 3 PIN TL431 TO-92 CHANG JI
L901	996510012550	CHOCOILS 10UH 10% P=5 CUT4MM
NTC901	994000005232	THERMIST. NTC 5R 5A
Q901	996510010356	XISTR PNP 2SB647 TO-92MOD
Q902	996500038406	MOSFET STP10NK60Z 10A 600V
Q903	996510004298	XISTR NPN 2N5551B TO-92
Q904	996510000615	XISTR NPN 2SC945P
Q905	996510004298	XISTR NPN 2N5551B TO-92
Q908	996510000615	XISTR NPN 2SC945P
Q909	994000000921	XISTR PNP 2SA812 HFE:200-400
R920	996510012521	RES 10K OHM 2W 5% STANDARD RAD
R940	996510012551	RES. 0.22 OHM 2W 5% MOF
T901	996510012552	SW TRANS EER28/34S 6+6P 60W

REVISION LIST

9 - 1

9 - 1

Version 1.0
*Initial release